

The SX-360 ceiling-mount detector, with its unique zoom function and highly dense, triple-element detection pattern, provides unsurpassed detection performance at any ceiling height up to 5 metres. By simply twisting the units domed lens, the detection pattern can be easily adjusted at any installation height, making it one of the most flexible ceiling detectors on the market. This, combined with its compact design, makes the SX-360 suitable for a variety of applications – large or small, residential or commercial.

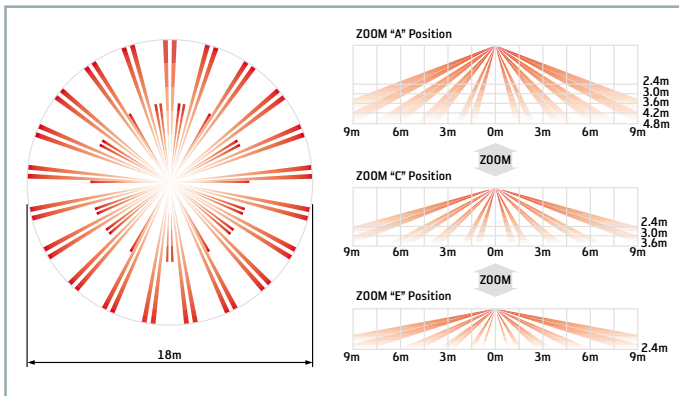
FEATURES

- **Patented Multi-Focus Technology**
- **Highly dense coverage (276 zones)**
- **Zoom Function/ Pattern Adjustment**
- **Temperature Protection**
- **Noise Reduction Circuit**
- **100% factory-tested for reliability**

OPTIONS

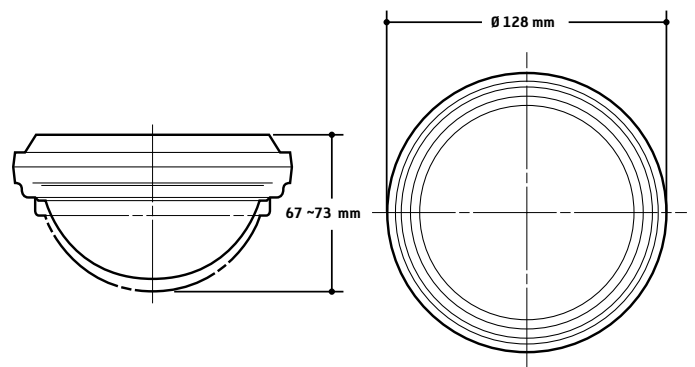
- **SX-360Z – standard model**

COVERAGE



N.B. For ceiling mounting only

DIMENSIONS



SPECIFICATIONS



276



6.0 -
18.0V DC



SX-360Z - 13mA (normal), 18mA (max.)
 SX-360ZVP - 13mA (normal), 25mA (max.)
 at 12V DC



-20°C



+50°C



SX-360Z - 224g
 SX-360ZVP - 227g



Pulse Count
 Selectable pulse
 count: 1, 2 or 4



Alarm Output
 N.C.
 28V, 0.2A (max.)



Tamper
 N.C.



Alarm memory
 Armed: +5 - 20V DC