

The RX Series gives extremely high false alarm protection with excellent tolerance to spot temperature changes from curtains and small animals. Using patented Quad Zone Logic, it is able to accurately discriminate between humans and other sources of infrared, providing reliable detection in a diverse range of applications.

The attractive housing incorporates the unique Optex spherical lens design, which is not only robust, but also helps to maximise the performance of Quad Zone Logic by providing an accurate focal length for each detection zone.

The RX Series also includes Optical Quad Technology, which uses taller detection zones divided into upper and lower areas. By detecting infrared energy changes in both areas and then coupling them, it provides extremely accurate detection even in very hostile environments.



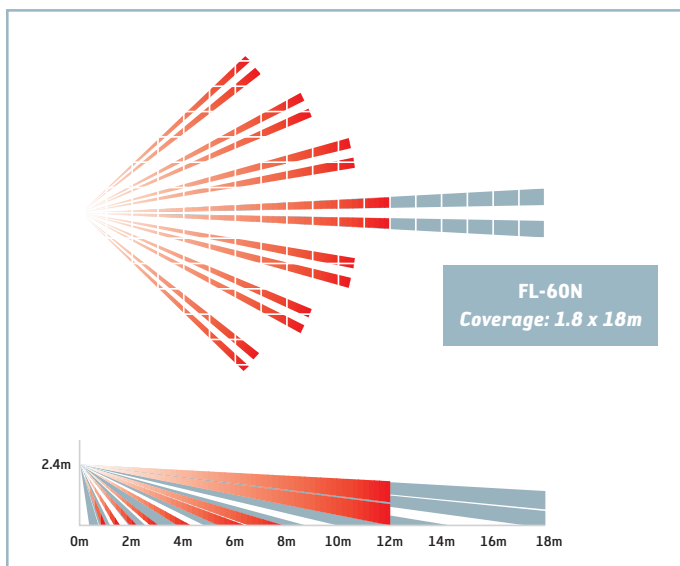
## FEATURES

- **Patented Quad Zone Logic**
- **Spherical Lens Design**
- **Temperature Compensation**
- **Sealed Optics**
- **Selectable pulse count: 2 or 4**
- **100% factory-tested for reliability**

## OPTIONS

- **RX-40QZ - standard model with Quad Zone Logic**
- **RX-40PT - RX-40QZ with Pet Tolerance**
- **RX-40QZ ID - RX-40QZ with ID programmable control system**

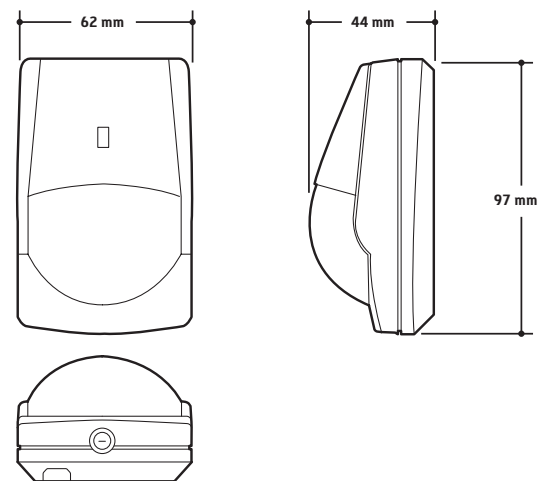
## COVERAGE



## ACCESSORIES

- **FA-3: Wall and ceiling mounting bracket**
- **FL-60N: 18m long-range lens (pack of 5)**

## DIMENSIONS



## SPECIFICATIONS



78 Wide



9.5 -  
16.0V DC



8mA (normal)  
11mA (max.)  
at 12V DC



-20°C



+50°C



70g



Pulse Count  
20 secs.  
2 or 4 (approx.)



Alarm Output  
N.C.  
28V, 0.2A (max.)



Tamper  
N.C.