

DX-40E/60E/40PLUS-E/60PLUS-E

PIR/MICROWAVE COMBINATION DETECTORS

Integrating PIR and microwave technology into attractive, easy-to-install units, the DX Series provides stable and reliable detection in the most hostile of environments, where simple PIR detectors struggle to function.

The PIR element incorporates Quad Zone Logic to detect the smallest temperature contrast against the background temperature, enabling it to discriminate between humans and other sources of infrared. Additionally, the microwave detector incorporates Microwave Area Shaping technology to prevent the unwanted detection of movement outside the coverage area. All in all, the DX Series offers unparalleled sensing performance.

FEATURES

- Patented Quad Zone Logic
- Microwave Area Shaping (Patent Pending)
- Spherical Lens Design
- Self Checking function
- Anti-PIR Tamper Function (Patent Pending)

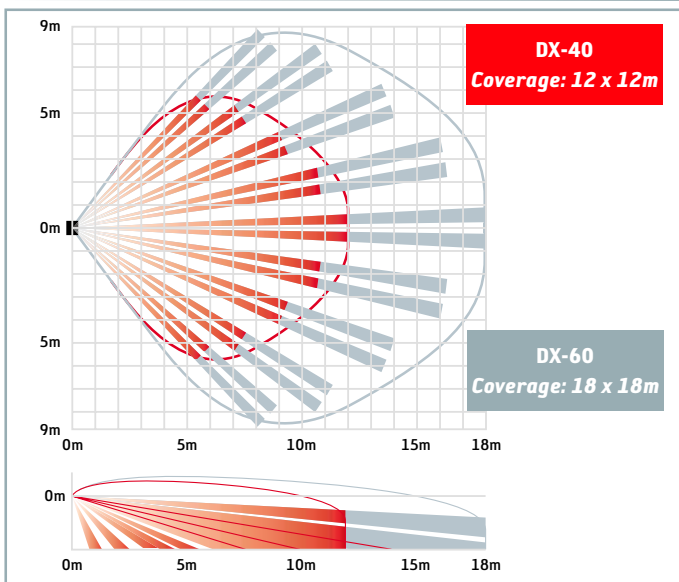
OPTIONS

- DX-40E – standard model 12m x 12m coverage
- DX-60E – standard model 18m x 18m coverage
- DX-40PLUS-E – enhanced model 12m x 12m coverage
- DX-60PLUS-E – enhanced model 18m x 18m coverage

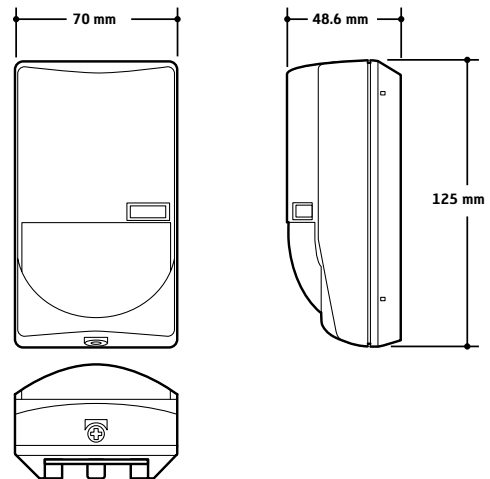
ACCESSORIES

- FA-1W: Multi-angle wall mounting bracket
- FA-3: Wall and ceiling mounting bracket

COVERAGE



DIMENSIONS



SPECIFICATIONS



82 zones (PIR)



9.0 - 18.0V DC



DX-40E/60E - 12mA (normal) 35mA (max.)
DX-40 PLUS-E/60 PLUS-E - 17mA (normal) 40mA (max.)
at 12V DC



-10°C



+50°C



150g



Pulse Count
20 secs.
2 or 4 (approx.)



Alarm Output
N.C.
28V, 0.2A (max.)



Tamper
N.C.



Mounting height
DX-40E - 1.5 - 2.4m
DX-60E - 1.8 - 2.4m