

# Video Security

Cameras | 360° Cameras

## ALMIRA C-1202

1/2" CMOS 3M Px. Camera 2048x1536, 360° Display, for HighSpeed Recording

Art-No. 71702



## Features

Ultra Wide Angle CCTV Camera / 360° Panoramic View  
4 virtual Cameras (VCAMs) with ePTZ Functionality  
Resolution of >600TVL / Frame Rate: >12 Frames/sec  
3x Optical Zoom (Sensor Zoom) and 5x Digital Zoom  
Lens: F1.8/1.8mm  
Frame Integration / Freeze Frame

128 Presets / 4 Tours with 64 Presets each  
4 Alarm Inputs / 1 Output / 75 Privacy Zones  
Motion Detection / Motion Tracking  
2 Independent Multi-view Configur. Analog Outputs  
Display Format: 2x180°, 360°, 4x90°, Quad, etc.  
Picture Recording on Almira R-01

## Specifications

<b>Imager</b>	1/2" 3 Mega pixel (2048 x 1536), CMOS sensor
<b>Processor</b>	Imtera® Visual 3D processor unit
<b>Horizontal resolution</b>	>600 TV Lines
<b>Sensitivity</b>	2 ~ 5Lux at colour depending on what setting is made for the night mode threshold. 0,2Lux at b&w
<b>Synchronization</b>	Internal
<b>Display</b>	2x 180° panorama, 1x 360° + 2x virtual PTZ camera sectors (VCam), 1x full screen VCam, 2x full screens VCam, 1x 360° fisheye + thumb nail options, VCam quad split. All per output. Installer customisable display options.
<b>Shutter modes</b>	5 Modes selectable: Dark, Normal, Bright, Daylight and Auto
<b>Low speed shutter (DSS)</b>	Included
<b>Day / Night Switching</b>	Automatic or manual
<b>White balance</b>	ON/OFF switchable
<b>Gamma correction</b>	21 steps, user selectable via OSD
<b>Recording</b>	HigSpeed recording on DVR ALMIRA R-01
<b>Frame rate</b>	>12 Fr./sec.

(Specifications continued)

<b>Over-/ under scan function</b>	11 steps, user selectable via OSD
<b>Privacy Zone masking</b>	75 zones accurate to the pixel (live mode only), zero lag
<b>Auto flip function</b>	Rotates VCam picture 180° at bottom of tilt travel
<b>Rotation range</b>	360° electronic pan, zero lag and no moving parts
<b>Tilt range</b>	170° electronic tilt, zero lag and no moving parts
<b>Speed range at manual control (tilt)</b>	270°/sec.
<b>Speed range at manual control (pan)</b>	270°/sec.
<b>Proportional pan and tilt</b>	Continually decreases pan and tilt speeds in proportion to depth of zoom
<b>Time/date display</b>	Included
<b>Freeze function</b>	On preset tour or manual
<b>Backlight compensation (BLC)</b>	Automatic
<b>Automatic gain control (AGC)</b>	Included
<b>Preset positioning</b>	128 presets with 20-character labels each
<b>Programmable park position</b>	Included, selectable per VCam tour, pattern and preset
<b>Patterns</b>	4 patterns x3min. each
<b>Tours</b>	Up to 4x 64 presets
<b>Motion Detection Function</b>	75 areas, each with selectable sensitivity
<b>Activity controlled processing</b>	ON/OFF, Auto zoom on motion to 25, 50, 75 or 100% screen size
<b>Menu driven set-up</b>	ON/OFF switchable
<b>Menu languages</b>	English, German
<b>Text display</b>	20-character labels
<b>Lens</b>	F1.8/1.8mm, f-theta type with 185° FoV
<b>Iris control</b>	-
<b>Lens mount</b>	C
<b>Zoom range</b>	3x equivalent to optical (sensor zoom)
<b>Digital Zoom</b>	5x
<b>Adresses</b>	Up to 100 ID's. Via menu each composite output is addressible
<b>Control interfaces</b>	RS-485, Protocol: eneo Fastrax E and Pelco D (auto selection)
<b>Keyboard control</b>	With keyboard series: eneo EDC-KBD(M) or Pelco KBD300A
<b>Remote control</b>	Camera remote settings via keyboard
<b>Operation protection</b>	Password protected, 4x numeric code
<b>Alarm inputs</b>	4 inputs NO/NC, selectable
<b>Alarm output</b>	1 NO/NC contact
<b>Video output</b>	2x independent outputs 1Vp-p, CVBS, 75ohms, BNC
<b>Supply voltage</b>	11.5 ~ 16VDC (12VDC nominal)
<b>Power consumption</b>	Approx. 20watts
<b>Dimensions (HxWxD)</b>	See drawing
<b>Temperature range</b>	0°C ~ +40°C
<b>Housing</b>	Metal/Plastic
<b>Weight</b>	1.5kg

## ALMIRA C-1202

(Specifications continued)

### Parts supplied

Metal camera bracket, Lens trim ring, Installer/User manual, Quick installation guide, Screw set

### Options

Lens shroud, Hard ceiling mount and multipurpose brackets

## Accessories

### 74088 / EDC-KBD1

System Keyboard with 3-axis Joystick, 12VDC/230VAC

### 71704 / ALMIRA LS1

Lens Shroud for eneo Almira Camera Series

### 71706 / ALMIRA WDMK

Wall/Ceiling Mount Kit for eneo Almira Camera Series

### 73743 / KBD300A

System Keyboard with Joystick for Pelco Matrix Switchers CM6700/6800 and Esprit

### 73844 / FW7362/12

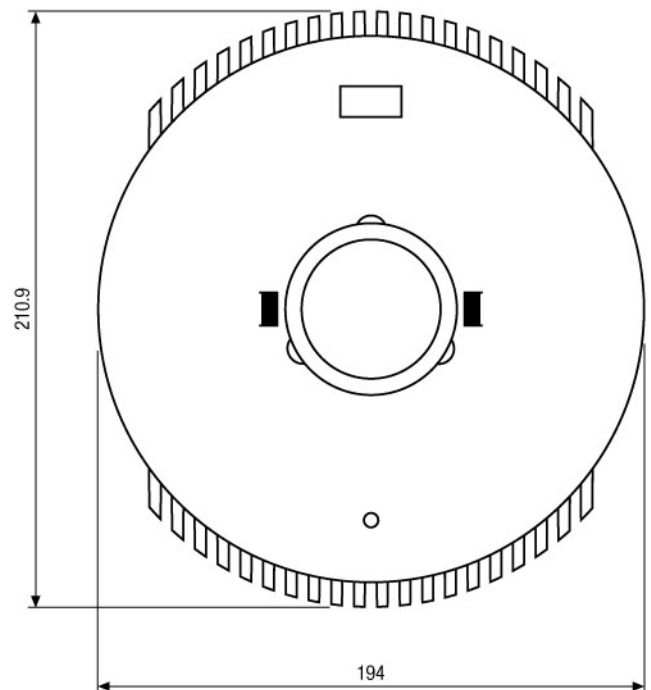
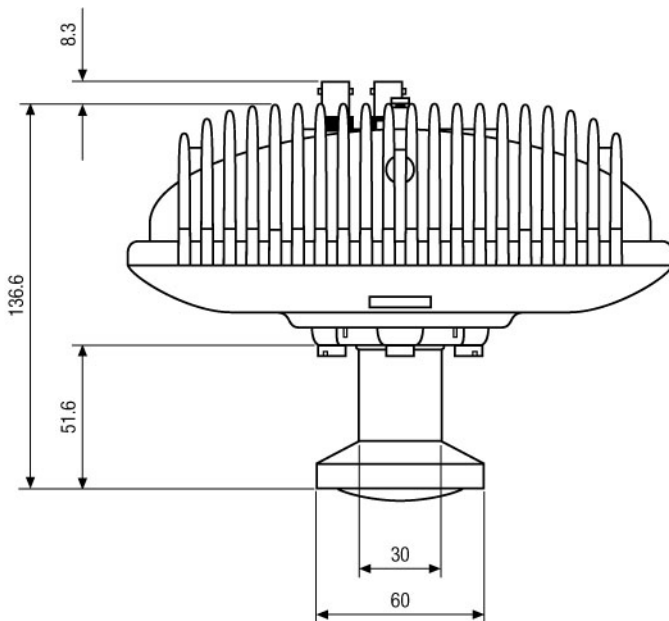
Plugable AC/DC Adapter 100-240V/12VDC-2.5A, Regulated

### 71703 / ALMIRA R-01

Digital Video Recorder, 400GB, for eneo Almira 360° Camera Series

### 74092 / EDC-KBDM-3

System Keyboard w. Joystick, 5" Monitor 12VDC/230VAC, Fastrax Protocol



Maße/Dimensions: mm

VIDEOR TECHNICAL E. Hartig GmbH  
Carl-Zeiss-Straße 8 · 63322 Rödermark · Germany  
Telefon +49 (0) 60 74/8 88-0 · Telefax +49 (0) 60 74/8 88-100  
info@videortechnical.com · www.videortechnical.com

