

# Video Security



## ALMIRA R-01

Digital Video Recorder, 400GB, for eneo Almira 360° Camera Series

Art-No. 71703



## Features

Complementary to Conventional Analog Recording  
Records Full 360° Sensor Output of Almira C-1202  
Unrestricted Retrospective ePTZ Capability  
eneo Almira Functionality on Recorded Images  
Simultaneous Recording and Playback  
Fast Zooming Timeline and Event Searching

Up to 7 Days Recording at 4 Frames/Sec.  
Configurable Recording Modes  
Storage Capability up to 400GB  
Resolution of 3M Pixels (Recording and Playback)  
PAL or NTSC Video Format  
4 Alarm Inputs / 1 Output (via eneo Almira)

## Specifications

Video standard	PAL or NTSC (via camera)
Simplex/Duplex/Triplex/Pentaplex operation	Duplex
Resolution	3 M Pixels at 4Frames/sec.
Day / Night Switching	Automatic (camera controlled)
Compression	Proprietary, user selectable
Recording modes	Continuous, Event based or scheduling. Simultaneous recording and playback
Recording speed	1, 2, 4 Frames/sec.
Image size	Avg. 200kB (at compression ratio)
Digital signature	Included (image watermarking)
Record capacity	Continuous: up to several weeks. Event-based: up to several months. Dependent on lighting conditions, frame rate and quality (user selectable)
Hard disk capacity	up to 400GByte EIDE HDD (nternal)
Pre-alarm recording	Up to 30sec.
Post-alarm recording	Up to 30sec.
Time synchronization	Synchronized with camera
Playback	Play forwards/backwards, up to 32x; Single frame stepping

## ALMIRA R-01

(Specifications continued)

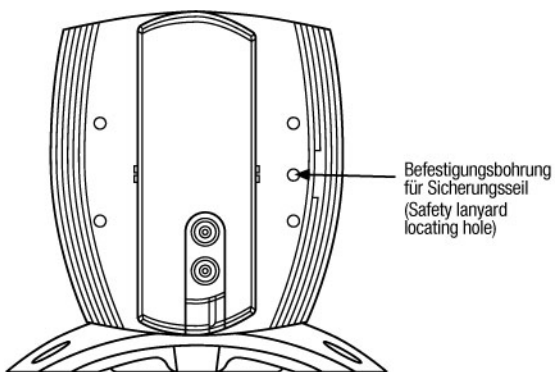
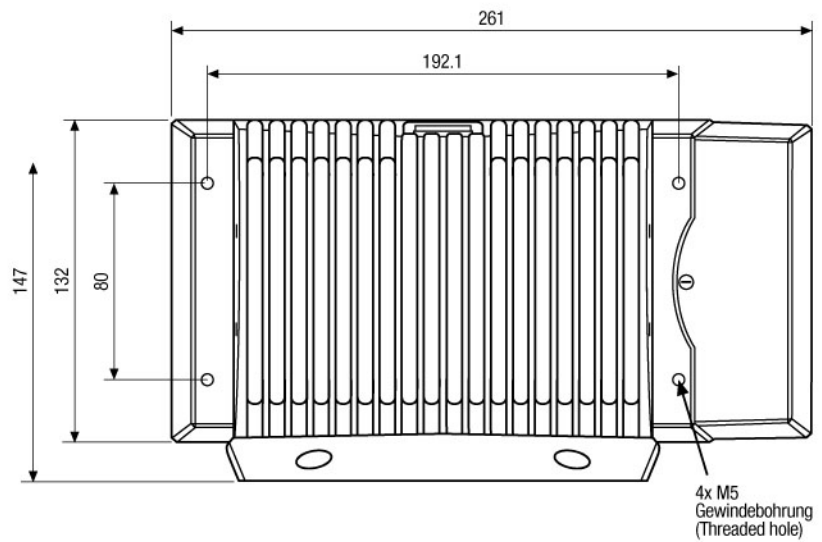
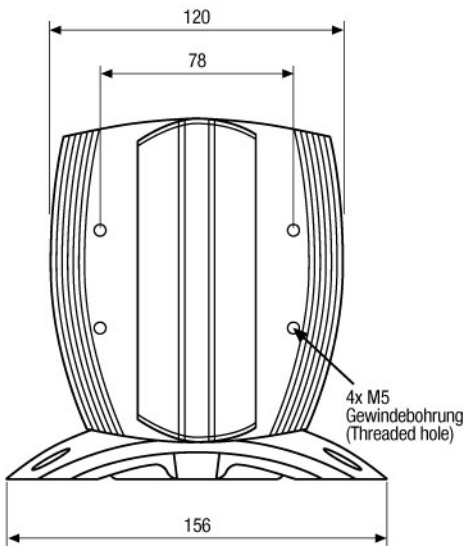
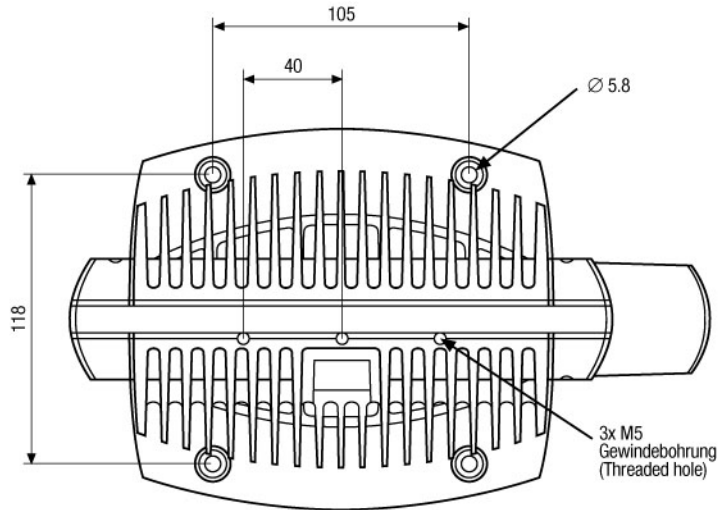
<b>Display options</b>	4x Zoom function, Pan&Tilt function, Carry out motion detection and tracking, Graphical Timeline display
<b>Search function</b>	via time, date and event
<b>Time/date display</b>	Included
<b>Activity controlled processing</b>	Yes (via camera)
<b>Video signal loss detection</b>	Included
<b>Menu languages</b>	English, German,
<b>Serial interface</b>	RS-485 (Pelco D), via camera
<b>Remote configuration</b>	Software update via LAN (10/100Base-T)
<b>Security</b>	Password protection, Event locking (protect from erasure user definable sections and/or events)
<b>Audio In-/Output</b>	-
<b>Alarm inputs</b>	4 programmable as NO/NC contact (via camera)
<b>Alarm output</b>	1 programmable as NO/NC (via camera)
<b>Alarm out Input</b>	System and disk fail. On-screen and/or via alarm output
<b>Supply voltage</b>	24VAC/DC, +/-10%
<b>Power consumption</b>	30watts
<b>Mounting</b>	Upright, within 3m of the camera
<b>Dimensions (HxWxD)</b>	See drawing
<b>Temperature range</b>	5°C ~ +40°C
<b>Housing</b>	Metal with plastic caps
<b>Colour</b>	Silver grey
<b>Weight</b>	3.5kg
<b>Parts supplied</b>	Plastic support bracket, connector cover with screw set, 3m interconnection cable

## Accessories

<b>70449 / NE-128</b>	Voltage supply unit 230V/24VAC-5A, IP66
-----------------------	---

## Accessories of

<b>71702 / ALMIRA C-1202</b>	1/2" CMOS 3M Px. Camera 2048x1536, 360° Display, for HighSpeed Recording
------------------------------	--



Maße/Dimensions: mm

VIDEOR TECHNICAL E. Hartig GmbH  
 Carl-Zeiss-Straße 8 · 63322 Rödermark · Germany  
 Telefon +49 (0) 60 74/8 88-0 · Telefax +49 (0) 60 74/8 88-100  
 info@videortechnical.com · www.videortechnical.com

