

Pictured: REG-L1 with side mount bracket

PRODUCT DESCRIPTION

REG-L1 - featuring DHC-Imaging™ technology - represents the next generation of number plate capture solution from Derwent.

Combining Derwent's latest technology, REG-L1 integrates advances in optics, electronics, Infra-Red illumination and advanced ambient rejection technology for consistent, reliable number plate capture under seemingly impossible conditions.

With an operational range up to 25m (82ft), REG-L1 delivers high contrast images across the complete spectrum of ambient lighting conditions, from total darkness to direct glare from sunlight and headlights. A high speed optical synchronisation system captures plates from vehicles moving at speed, up to 100mph (160kph), enabling effective capture on motorways, highways and in other high speed applications.

Housed in a weather sealed unit field-proven for successful application in extreme environments, REG-L1's high efficiency Metaphase-LED array eliminates need for routine bulb changes, an improved electronic design allows for energy efficient operation at 12V - 24V ac/dc.

REG-L1 has been designed to work on a stand-alone basis with VCR, DVRs and specifically to work with third party ANPR software.

REG-L1 DHC-Imaging™ Number Plate Capture

- ▶ DHC-Imaging™ Technology for Definitive High Contrast Images
- ▶ High Speed Capture, 100mph (160kph)
- ▶ Metaphase-LEDs for Powerful IR Illumination
- ▶ Capture to 25m (82ft)
- ▶ 24/7 Capture in Day & Dark Conditions
- ▶ Advanced Ambient Rejection Technology
- ▶ Energy Efficient Operation 12V - 24V ac/dc
- ▶ Compact Housing, Covert Installer Friendly Design

APPLICATIONS

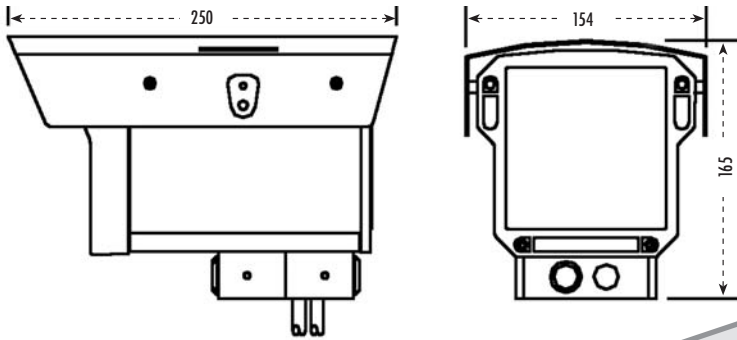
- ▶ ANPR
- ▶ Government Buildings
- ▶ Traffic Monitoring
- ▶ Border Control
- ▶ Access Control
- ▶ Car Parks
- ▶ Police
- ▶ Post-Event Investigation
- ▶ 12V - 24V ac/dc Operation

A GENERAL NOTE ON NUMBER PLATES

All operational distances quoted refer to standard UK number plates which are retro-reflective. Achievable distances for other nationality plates may differ according to the size and reflectivity of plate. We are happy to advise on the suitability of REG for your specific scheme.

A&E SPECIFICATION

Please contact Derwent for a full A&E specification



Note: All dimensions are in millimetres.

TECHNICAL

PRODUCT SELECTOR

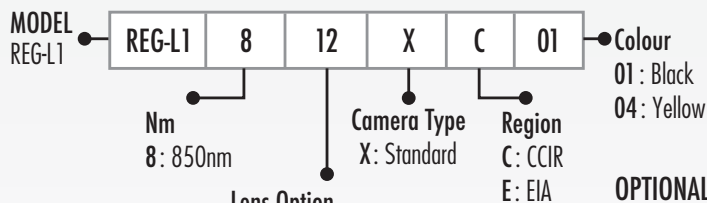
Lens Option (mm)	12mm	16mm	25mm	35mm	50mm
Angular H-FOV (Degrees)	30°	22°	14°	10°	8°
Range (m)	3-6	5-8	7-12	11-18	17-25

Note: REG is calibrated to ensure maximum accuracy and capture. Select the range taking into consideration the maximum point at which capture is required.

REG-L1 SPECIFICATION

Operational Range	Up to 25m
Camera Sensors	1/2" LXR CCD Sensor
Resolution	High Resolution 600 TVL
IR Illumination	Metaphase LEDs, high resolution array, 850nm
Average Illuminator Life	> 5 years
Input	12V - 24 V ac/dc
Consumption	30W
Temperature Range	+50°C (122°F) to -50°C (-58°F)
Construction	Robust, weatherproof aluminium casting and extrusion
Environmental	Sunshield
Dimensions	250 x 154 x 165 mm
Colour	Supplied in black (RAL B401) as standard or in an optional traffic yellow (RAL 1023.) Other RAL colours available upon request, minimum order quantity applies.
Weight	2.8 kg
Bracket	Supplied with mounting block as standard, order bracket separately, select from optional accessories
Power Supply Unit	Derwent recommend PSU230-24-75W if mains operation is required, order PSU separately

PART NUMBERS



Lens Option

12: 12mm 3 to 6m
16: 16mm 5 to 8m
25: 25mm 7 to 12m
35: 35mm 11 to 18m
50: 50mm 17 to 25m

OPTIONAL ACCESSORIES

BRKT-D020-01 Cable managed wall mount bracket - black
BRKT-D020-04 Cable managed wall mount bracket - yellow
BRKT-D021 Pole top mount bracket
BRKT-D022 Side pole mount bracket
BRKT-D023 Ceiling mount

Dealer/Distributor



Derwent Systems Ltd
A Division of Extreme CCTV (UK) Ltd
T: +44 (0) 1670 730 187
F: +44 (0) 1670 730 188
E: Sales@DerwentCCTV.com
www.DerwentCCTV.com



Extreme CCTV
TF: 1 888 409 2288
T: +1 604 420 7711
F: +1 604 420 3300
E: Sales@ExtremeCCTV.com
www.ExtremeCCTV.com