



ADPRO[®]

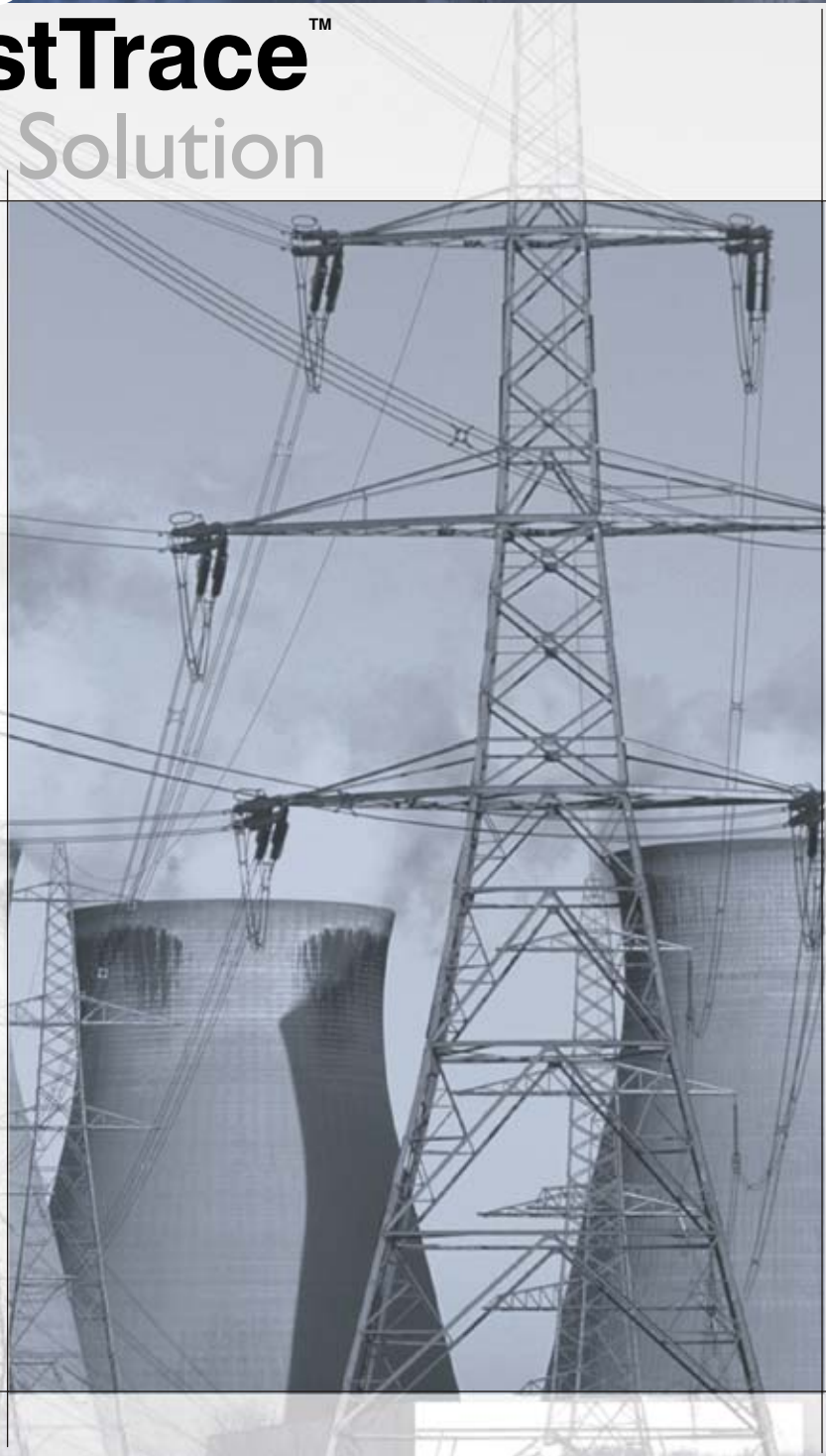
FastTrace[™]

Application Solution

Site Security.

Protection of Remote
Facilities.

Operational Efficiency.



Power Utilities

Power generation and distribution utilities face a number of critical issues that must be addressed to ensure continual and reliable power delivery.

Power Generation:

The protection of the facility and ensuring optimum commercial output, while minimising the exposure to public or contract liability, are the key considerations of security and operations managers.

Power Distribution:

Additionally, the safe storage and delivery of electrical power via multiple and often remotely located underground and overhead supply networks is of primary priority to this sector. Maximum 'up-time' of electricity delivery must be maintained to meet the demands of commercial contracts.

THE INEFFICIENCIES OF ANALOG RECORDING

Prior to DVR technology, analog (ie. tape based) video recording systems were available. Although functional, these systems have several disadvantages within power utility applications.

Consider a power utility provider that requires a geographically spread monitoring and recording security system. The use of a tape based system that interacts with the remote sites would require additional video/audio transmission and control systems to be interfaced onto each on-site tape recorder. A substantial additional cost to the purchaser.

Primary disadvantages of such a system are: tape quantity and changing; deterioration of stored image detail (evidential quality) due to mechanical tape wear; difficulty in searching and accessing specific, event related data. In addition, tape changing, archiving and management of video media increase the chance of human error.

When assessing an incident that relies on tape based information, critical delays such as the physical retrieval of tape or travel to the site can hinder the investigation process. Poor image quality can also impede or prevent positive identification.

DVR ADVANTAGES

The implementation of Digital Video Recorder (DVR) technology provides a distinct number of advantages compared to a tape-based recording system.

While fast retrieval and analysis is addressed via centralized and integrated remote access to (non-deteriorating) stored data, the DVR's ability to 'record while reviewing' allows uninterrupted site coverage and recording even while live video monitoring or access control is taking place. The system never has to stop for the replacement of storage media.

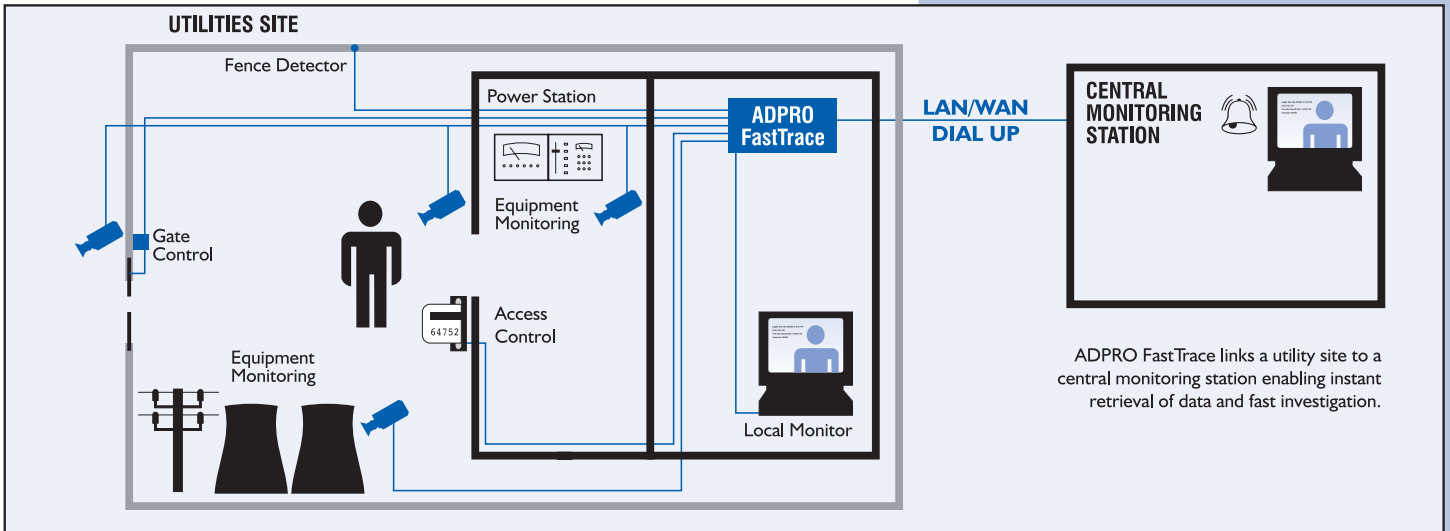
In addition, the provision of continuous asset monitoring is not affected while incident investigation is undertaken.

THE ADPRO FASTTRACE SOLUTION

Power utility monitoring applications require products that are unyielding in quality, reliability and flexibility while satisfying the demands of security and asset protection. While each facility may vary in operation, size and configuration and operational, the key drivers remain the same.

ADPRO FastTrace features address the key issues of security, asset protection and operational efficiency:

- Advanced compression methodology provides optimum storage of data over extended time periods,
- Intelligent search functions efficiently retrieve and transmit recorded data, allowing centralization of resources and system management via ADPRO FastTrace PC Viewer Software,
- Consistent image quality and clarity during live monitoring or replay from (up to) 20 connected cameras,
- Tailored recording to configure event triggering on a continuous, scheduled or event-activated criteria,
- Eliminates local user interaction,
- Eliminates ongoing tape management and archiving issues, including media cost,
- Provides cost-benefit advantages via the ability to monitor/transmit video over a variety of communications architectures, including dialup lines, LAN/WAN networks or dedicated links,
- Provides simple system expansion, up to 100 cameras per station.



ADPRO FastTrace networked DVR system.

To aid in both risk and safety management, ADPRO FastTrace enables instant identification and retrieval of event or incident information, regardless of site location, by combining tape free, digital archiving with fast and flexible access to stored or live video.

Priority #1 – Security

The primary risk mitigation factor is the protection of numerous unmanned and remote assets and to ensure only authorized personnel access the sites.

When used for surveillance and access management of multiple remote sites, ADPRO FastTrace can assist centralized security personnel with instant and accurate video verification of an event. In addition, the unit's audio transmission feature provides a direct audio link to provide immediate contact and resolution of entry requests.

Priority #2 – Protection of Remote Facilities

Continued site coverage is critical to safety, reliability and efficiency. By using a pre-defined trigger (eg. electrical contacts on a door or movement detection) to activate either recording, live monitoring or automatic alarm notification, ADPRO FastTrace can provide a 24-hour demand-based monitoring service.

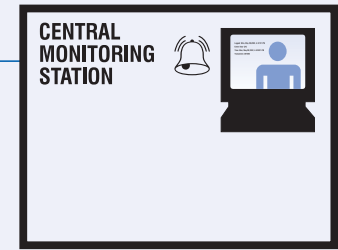
The ability to 'look back in time' allows staff to review the sequence of events leading up to a pre-defined trigger, a powerful analysis tool to identify unusual behavior or equipment activity.

Priority #3 – Operational Efficiency

By reviewing key elements of a facility's daily operation, ADPRO FastTrace can be used to reduce the incidence of equipment malfunction by providing video/audio coverage of critical components. Centralized monitoring can detect changes in equipment operation in a timely manner.

ADPRO FastTrace can also help identify improvements to operational efficiency by providing a transparent confirmation of key events (gate openings, water flow or turbidity, weather conditions).

LAN/WAN
DIAL UP



ADPRO FastTrace links a utility site to a central monitoring station enabling instant retrieval of data and fast investigation.

REMOTE ACCESS – ADPRO FASTTRACE CORE TECHNOLOGY

Digitally recorded images can be located by an intelligent search capability based on time and date events or scene activity. By automatically recording events activated by image movement or external sensors, ADPRO FastTrace offers optimal use of disk storage without compromising image clarity and quality.

ADPRO FastTrace can be seamlessly integrated into an existing security system to provide centralised recording, monitoring and retrieval of remotely recorded video without interruption to site operations or delivery of service.



ADPRO FastTrace - Remote Access Digital Video Recorder

REMOTE ALARM VERIFICATION

Automatic transmission of alarm images can be programmed to activate on events, scene activity or intrusion alarms. Instant image capture allows the cause of the event to be determined without the need for costly security guard or police call-outs. The alarm images can be printed, emailed, or exported to a secure file with the PC Viewer software.



Stored digital video can be selected by specific search parameters such as date/time/location and alarm triggers.

ADPRO FASTTRACE STORAGE EXAMPLE

| | |
|---------------------------------|---|
| Number of Site Cameras: | 10 to be recorded simultaneously, 24 hours per day. |
| Recording Frame Rate: | 10 images per second (1 image / camera / second) |
| Storage Time Archive: | 4 months (120 days) |
| Hard Drive Space Needed: | 300Gb (approximately) |

In comparison, a tape based system (using 2-hour tapes) would require the supply, tape change and archive of **288** tapes per site.

DIGITAL VIDEO – RECORDING THE EVIDENCE

In-built software algorithms apply a unique watermark to each video frame. Data is linked to encrypted event information and then date and time stamped. ADPRO FastTrace PC Viewer software ensures image integrity is protected by secure file format while access to data is restricted to authorized personnel via password control.

ADPRO FastTrace – The remote access DVR for evidential image recording and instant alarm verification.

For further information on ADPRO FastTrace or other video products in our range of integrated security and surveillance solutions, contact your local Vision Fire & Security office.

Distributed by

Asia/Pacific

Vision Fire & Security
Private Bag 215
495 Blackburn Road
Mount Waverley VIC 3149 Australia
Ph: +61 3 9211 7300
Fax: +61 3 9211 7202
Freecall: 1 800 700 203

The Americas

Vision Fire & Security
35 Pond Park Road
Hingham, Massachusetts, USA 02043
Ph: +1 781 740 2223
Fax: +1 781 740 4433
Toll Free: 800 229 4434

Europe and the Middle East

Vision Fire & Security
Vision House
Focus 31, Mark Road
Hemel Hempstead, Herts. HP2 7BW UK
Ph: +44 (0) 1442 242 330
Fax: +44 (0) 1442 249 327

www.fasttrace-adpro.com.au

The manufacturer reserves the right to change designs or specifications without obligation and without further notice. ADPRO, FastTrace, FastVu, Fast Scan, Axiom, PRO, Amux and Video Central are trademarks used under licence by the distributor.

It is the sole responsibility of the purchaser (and not the manufacturer or distributor) to ascertain and comply with all laws (including surveillance and privacy laws) which are applicable to the possession and use of the ADPRO FastTrace product, in the jurisdiction(s) in which the FastTrace product will be used by the purchaser.

By placing an order, the purchaser represents that the FastTrace product will only be used in a lawful manner. The purchaser agrees to indemnify the manufacturer and its distributors for any claims, actions, and legal and/or court fees brought against the purchaser, the manufacturer or its distributors in connection with the purchaser's use of the FastTrace product.



Vision Systems