

**MRP 3050S CAM DN**

**MRP 3050S CAM**


# MRP 3050S CAM/CAM DN

## REDWATCH® MULTI

### BS8418 Sensor

**REDWATCH MULTI**, a revised and upgraded version of our proven **REDWATCH®** technology, has a significantly more advanced high quality colour/mono camera with varifocal lens integrated with the PIR to deliver a combined/detector sensor. The new product also has the benefit of a higher mounting height. The option of a standard 2.3 Metre mounting height providing 50 x 30 metre detection range, or a 30 x 20 metre detection pattern at an increased height of 4 metres. As with all products in our detection range, **REDWATCH MULTI** is particularly adept at countering one of the biggest headaches for remote monitoring centres, installers and end-users associated with false alarms in outdoor detection: miss-match of the camera lens view and the detection pattern.

RedWatch multi now easily deals with issues caused by changes to the operation requirement on the remote site; a slight alteration to the viewing angle of the camera now means that the detection pattern will follow, perfectly.

### FEATURES

- Colour/mono & monochrome versions
- Matched Fields of view
- Operating temperature -25°c to +60°c
- Mono 570 TVL 8.0mm lens 0.08 lux
- Colour/Mono 3.8-9.5mm Varifocal Lens Colour 0.5 lux 510 TVL Mono 0.03 lux 480TVL
- Triple electronic processors
- Gold coated optics
- Triple dual element sensors
- Patented optical array
- Patented double conductive shielding

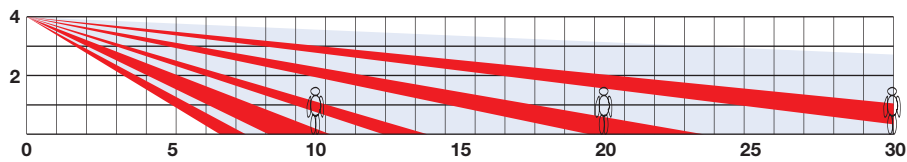
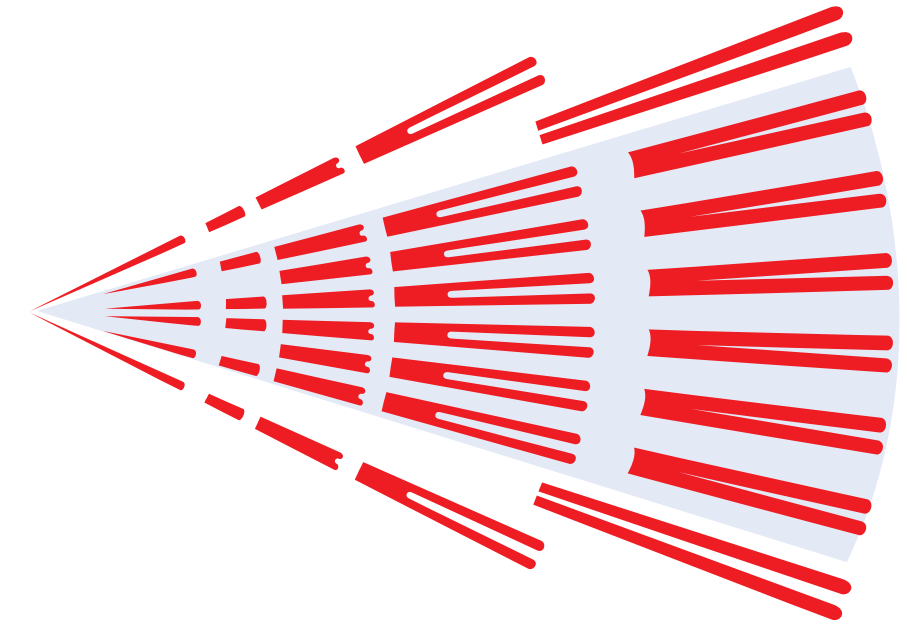
### OPTIONS/ACCESSORIES

- Sun/snow shield – LRPMIDIHOOD
- Walk tester – OPM-WT
- Pole mount bracket – LRPSCA
- Visual alignment aid (supplied)

## Coverage at 4 Mtrs

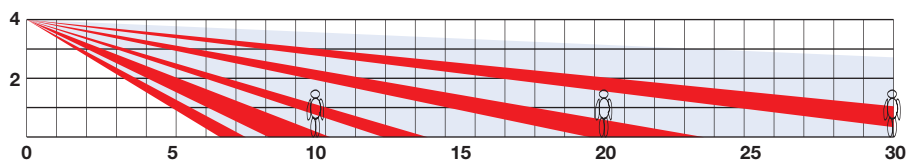
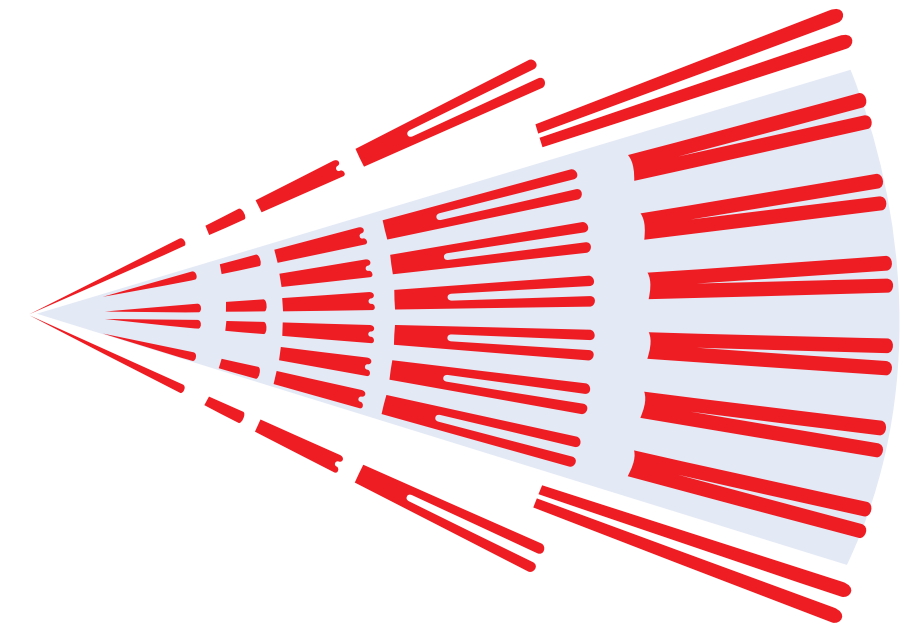
### MRP 3050S CAM

Mounting Height 4 Mtrs



### MRP 3050S CAM DN

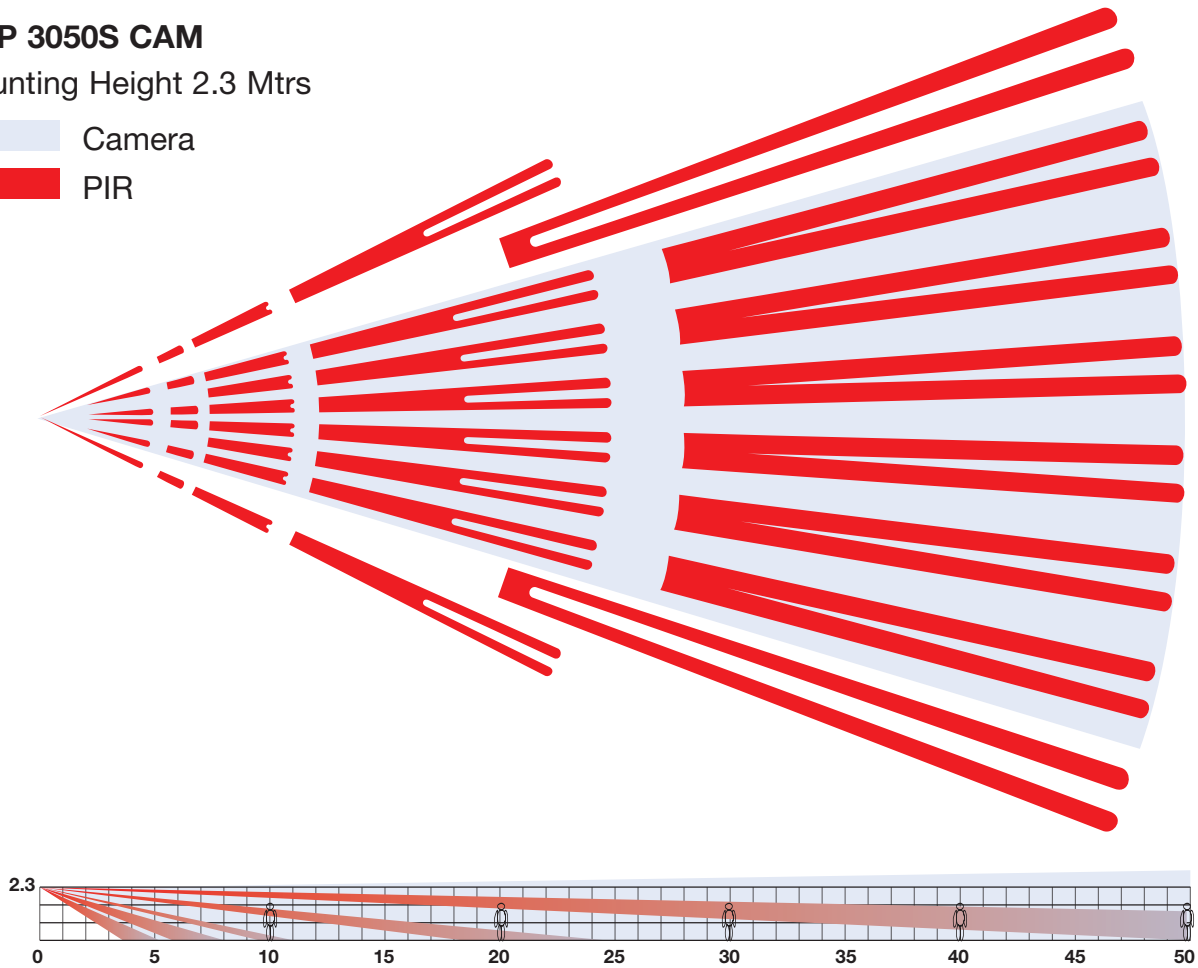
Mounting Height 4 Mtrs



## Coverage at 2.3 Mtrs

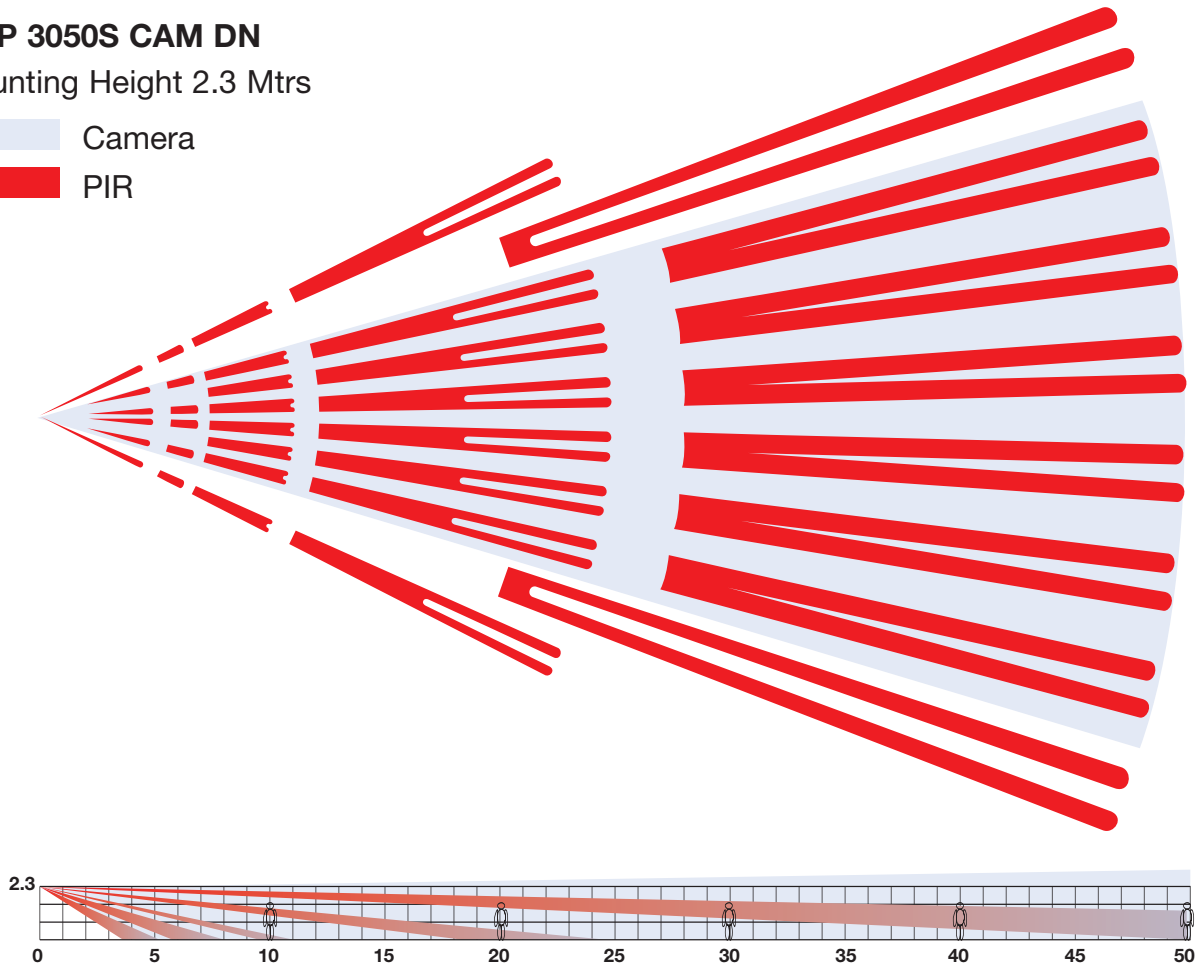
### MRP 3050S CAM

Mounting Height 2.3 Mtrs



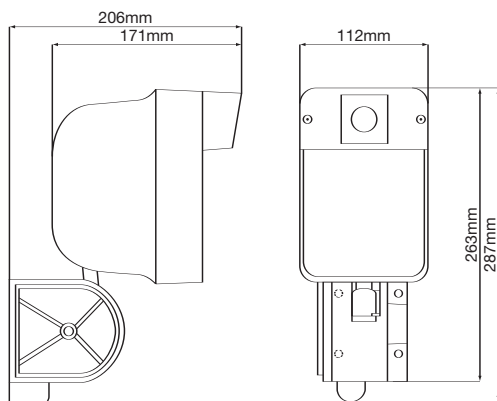
### MRP 3050S CAM DN

Mounting Height 2.3 Mtrs

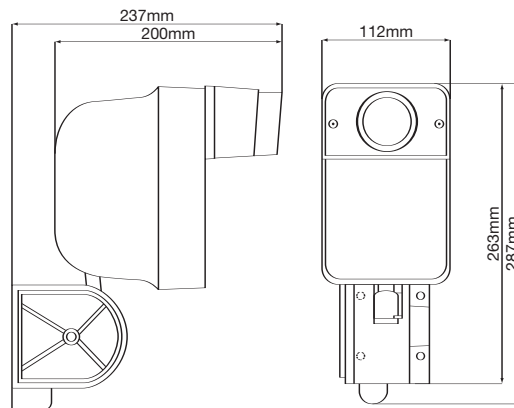


## Dimensions

MRP-3050S CAM



MRP-3050S CAM DN



## Specifications

Model	MRP 3050S CAM (EU)	MRP 3050S CAM DN (EU)	MRP 3050S CAM DN (US)
-------	--------------------	-----------------------	-----------------------

### • General

Power Input	10.2-13.8VDC		
Current Draw	160mA (max)	220mA(max)	
Detection Method	passive inferred patented Tri-channel system		
Range	50m x 30m (150' x 100' at 2.3m (7'6) mounting height 30m x 20m (100' x 65') at 4 m (13') mounting height		
Detection Zones	78 Zones (39 pairs)		
Mounting height	2.3m (7'6) – 4m (13')		
Alarm period	Approx. 2 sec		
Alarm output	Form 1C relay 30VDC/1A (Max)		
Tamper output	N.C opens when cover,head removed 28VDC 10mA (Max)		
Warm-up Period	Approx 60 Secs (LED's blinking during warm up period)		
Walk test indication	visual: LED x 3 Audio: Optional Audio walk tester available (OPM-WT).Recommended.		
Operating temperatures	-25°C ~ +60°C (+60°C can be achieved when LRP MIDI HOOD is fitted)		
Weight	1.7kg	1.9kg	
IP rating	IP64 Wiring hole to be sealed	IP65 Wiring hole to be sealed	
Finish	White Powder Coat		

### • Camera

Image sensor	Sony 1/3" B/W CCD	Sony 1/3" Colour CCD	
Effective Pixels	752H X 582V (440K Pixels)	752H X 582V (440K Pixels)	768H x 494V (380K Pixels)
Lens Focus Length/F-stop	8mm F1.2	3.8mm – 9.5mm Vari-Focal DC Auto iris lens F1.2	
Minimum illumination	0.08 lux @ F1.2	Colour 0.5 lux @ F1.2 B/W 0.03 lux @ F1.2	
Video output	1Vp-p/75Ω CCIR PAL	1Vp-p/75Ω CCIR PAL	1Vp-p/75Ω NTSC/EIA

This unit is designed to provide a video image for the purposes of security and observation monitoring. It is NOT a burglar/theft prevention device and we cannot accept responsibility for any losses, should they occur.

**Due to continued improvements, specifications are liable to change without notice**  
This Product conforms the EMC directive 89/336EEC

<b>OPTEX (EUROPE) LTD</b>	Platinum House, 32B, Clivemont Road, Cordwallis Park, Maidenhead, Berkshire. SL6 7BZ Tele: +44 (0) 1628 631000 – Fax: +44 (0) 1628 636311 Web: www.optex-europe.com - e-mail sales@optex-europe.com
<b>OPTEX INCORPORATED</b>	13661 Benson Ave., Bldg.C. Chino, CA91710 USA. Tel: +1-909-993-5770 – Fax: +1-909-628-5560
<b>OPTEX CO. LTD</b>	5-8-12 Ogoto Otsu, Shiaga 520-0101 Japan Tel: +81 77 579 8030 - Fax: +81 77 579 7190 Web: www.optex.co.jp/e
<b>OPTEX SECURITY SAS</b>	475 Rue Monique et Mario Piani 69480 Amberieux d'Azergues France. Tel: +33-437-55-50-50 – Fax: +33-437-55-50-59
<b>OPTEX SECURITY Sp. Z.o.o.</b>	Ul Błtwy warszawskiej 1920r. 7B, 02-366 Warszawa, Poland. Tele: +48 2259 80654 – Fax: +48 2259 80661