

# Video Security

Dome Cameras | eneo Fastrax Domes

## EDC-141E

1/4" Day&Night High Speed Dome Camera with 18x Zoom Lens, 24VAC, 480TVL

Art-No. 74086



## Features

High Resolution Colour/B&W Camera (Ex View CCD)  
 18x Optical and 12x Digital Zoom (216 Total)  
 Zoom Lens: F1.4/4.1-73.8mm  
 Removable IR Cut Filter  
 Pattern, Tour and Autopan Function  
 240 Presets

Dynamic Window Blanking  
 RS-485/RS-422 Interface  
 8 Alarm Inputs / 4 Outputs  
 Programmable Alarm Action with Priority Levels  
 Quick Detachable (Hot Swap)  
 Supply Voltage: 18 to 30VAC, 50/60Hz

## Specifications

<b>Imager</b>	1/4" 752 (H) x 582 (V) pixels (Sony ExView Interline Transfer CCD)
<b>Sensitivity</b>	0.7Lux at F1.4 (0.5Lux at F1.2); 0.05Lux at 1/3sec. shutter speed; 0.01Lux at 1/3sec. shutter speed and IR cut filter removed
<b>Horizontal resolution</b>	480 TV lines
<b>Addresses</b>	Up to 999 Dome ID's
<b>Speed range at manual control (pan)</b>	0.1° ~ 90°/sec., Turbo: 360°/sec. (Proportional to the zoom position)
<b>Speed range at manual control (tilt)</b>	0.1° ~ 90°/sec. (Proportional to the zoom position)
<b>Preset speed</b>	Up to 380°/sec. pan
<b>Rotation range</b>	360° (endless)
<b>Vertical tilt range</b>	-10° ~ +90°
<b>Preset positioning</b>	240 presets with 16-character labels each. 0.75sec. max. preset recall time
<b>Backlash</b>	0.2°
<b>Patterns</b>	4 patterns: 1x up to 240sec., or 3x up to 240sec. in total

(Specifications continued)

<b>Tours</b>	Up to 8 User programmable guard tours with vector scan. Consisting of 42 presets and other functions with individual dwell time (3 to 99sec.). Selectable fast or slow vector scan
<b>Autoscan</b>	8 User programmable auto scans with selectable fast or slow vector scan, 9 selectable speeds
<b>Proportional pan and tilt</b>	Continually decreases pan and tilt speeds in proportion to depth of zoom
<b>Auto flip function</b>	Rotates dome 180° at bottom of tilt travel
<b>Programmable park position</b>	Included
<b>Window blanking</b>	8 dynamic window blanking zones with user-defined four-sided shapes and up to 16-character labels each
<b>Zones</b>	16 each with programmable text labels
<b>In/outdoor use</b>	Indoor/outdoor camera preferences
<b>IR cut filter</b>	Motorized, switchable filter. Automatic function depend on the amount of light. In removed filter position, the colour signal will be switched OFF
<b>Digital signal processing (DSP)</b>	Yes (DSP-3R)
<b>Signal-to-noise ratio</b>	50dB
<b>Automatic gain control (AGC)</b>	Automatic (ON/OFF switchable)
<b>Shutter speed (AES/MES)</b>	Automatic/manual: 1/1 ~ 1/10,000 sec.
<b>Shutter modes</b>	High and Low Speed shutter
<b>Synchronization</b>	Internal/AC line lock, phase adjustment via remote control
<b>White balance</b>	Modes: Manual, Automatic, Indoor, Outdoor, ATW
<b>Video output</b>	1Vp-p, CVBS, 75ohms, BNC
<b>Zoom range</b>	F1.4~3.0/4.1 ~ 73.8mm (18x optical, 12x digital zoom)
<b>Horizontal angle of view</b>	48° (Wide); 2.8° (Tele end)
<b>Iris control</b>	Automatic (with manual override)
<b>Focus control</b>	Automatic with manual override
<b>Minimum object distance (MOD)</b>	0.3m
<b>Menu driven set-up</b>	ON/OFF switchable
<b>Text display</b>	16-character labels
<b>Menu languages</b>	English, German, French, Spanish, Portuguese, Italian, Polish
<b>Alarm processing</b>	Programmable alarm action with selectable priority levels
<b>Alarm inputs</b>	8, selectable between NO and NC
<b>Bubble</b>	4.9" (125mm), clear acrylic plastic
<b>Control interfaces</b>	RS-422/RS-485, 9600Baud, 999 camera ID addresses selectable. Besides the keyboard control via the eneo EDC-KBD(M) series, the control via matrix switchers and keyboards from Pelco (D+P protocol), Ernitec, Philips G3, Sensormatic RS-422, (back channel via RS-422 is not activated), Vicon and Dynacolor is available
<b>Keyboard control</b>	Direct mode control with Eneo EDC-KBD(M) keyboard series, or in conjunction with the eneo DVR series DLR, DTR and DPR
<b>Auxiliary outputs</b>	4 relays with NO/NC contact, 24VDC/1A resistive

## EDC-141E

(Specifications continued)

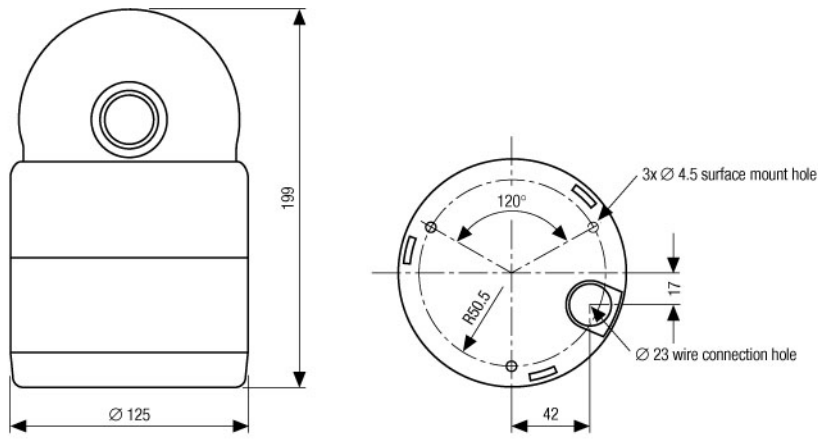
<b>Remote control</b>	Camera remote settings via keyboard
<b>Operation protection</b>	Available
<b>Backup</b>	Non-volatile back box memory stores all camera and site-specific dome settings
<b>Supply voltage</b>	18 ~ 30VAC (24VAC nominal), 50/60Hz
<b>Power consumption</b>	Approx. 20watts
<b>Temperature range</b>	0°C ~ +50°C
<b>Protection rating</b>	IP40
<b>Housing</b>	Black plastic for indoor drop-ceiling mount
<b>Dimensions (HxWxD)</b>	See drawing
<b>Weight</b>	1.2kg

## Accessories

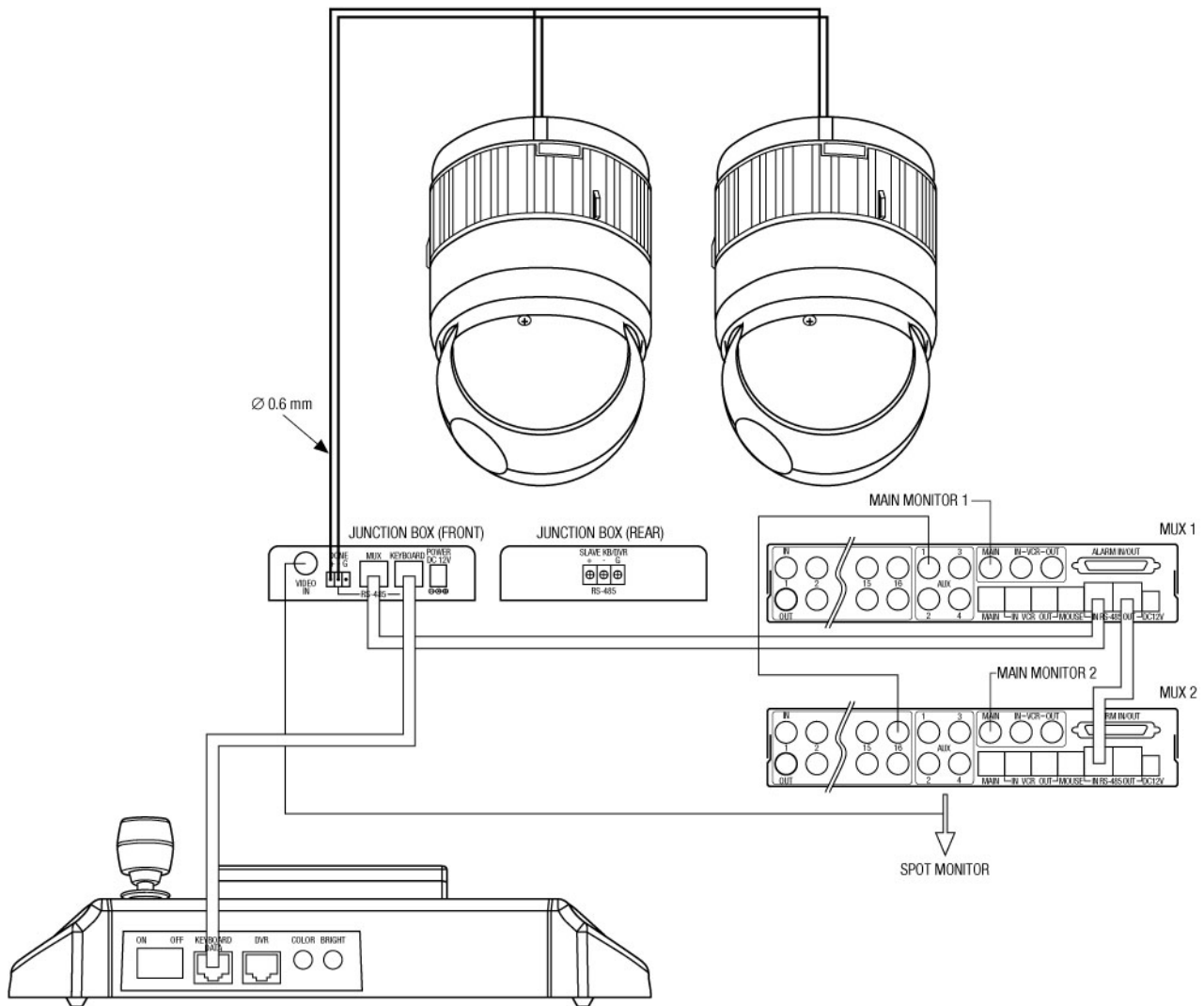
<b>74092 / EDC-KBDM-3</b>	System Keyboard w. Joystick, 5" Monitor 12VDC/230VAC, Fastrax Protocol
<b>74088 / EDC-KBD1</b>	System Keyboard with 3-axis Joystick, 12VDC/230VAC
<b>74057 / EDC-IDF</b>	Flush Mount Dome Housing, Smoked Bubble 4.9"
<b>74078 / EDC-OPS-1/24V</b>	Pendant Mount Outdoor Dome Housing Tinted Bubble 6.8", 24VAC
<b>74077 / EDC-IPC-1/24V</b>	Pendant Mount Indoor Dome Housing Clear Bubble 6.8", 24VAC
<b>74076 / EDC-OPC-1/24V</b>	Pendant Mount Outdoor Dome Housing Clear Bubble 6.8", 24VAC
<b>74075 / EDC-IPS-1/24V</b>	Pendant Mount Indoor Dome Housing Tinted Bubble 6.8", 24VAC
<b>74082 / EDC-IPC-1/230V</b>	Pendant Mount Indoor Dome Housing Clear Bubble 6.8", 230VAC
<b>74083 / EDC-IPS-1/230V</b>	Pendant Mount Indoor Dome Housing Tinted Bubble 6.8", 230VAC
<b>74084 / EDC-OPC-1/230V</b>	Pendant Mount Outdoor Dome Housing Clear Bubble 6.8", 230VAC
<b>74085 / EDC-OPS-1/230V</b>	Pendant Mount Outdoor Dome Housing Tinted Bubble 6.8", 230VAC
<b>74089 / EDC-CR1</b>	Converter RS-232/RS-485, Repeater RS-485
<b>74095 / EDC-PBP</b>	Protocol Converter BiPhase to RS-422, RS-485 for EDC Dome Cameras, 12VDC
<b>70449 / NE-128</b>	Voltage supply unit 230V/24VAC-5A, IP66
<b>74094 / EDC-COAX</b>	Coax Telemetry Board for VPT-41/42, EDC/EDMC Series. assembled
<b>70457 / AK-3</b>	Camera Connection box, 230VAC Input 24VAC-100W, 12VDC-1A Output
<b>74124 / FASTRAX_CONFIG</b>	Configuration Software for Eneo Fastrax, Minitrax Dome Cameras and VKC-1416

## Accessories of

<b>76201 / AIRA STANDARD</b>	Network Recording Software, 1-channel Aimetis AIRA 2005 Standard
<b>76202 / AIRA PROFESSION</b>	Network Analysis and Recording Software, 1-channel, Aimetis AIRA2005 Professional
<b>76203 / AIRA ENTERPRISE</b>	Network Analysis and Recording/Alarm S/W 1-channel, Aimetis AIRA 2005 Enterprise



Maße/Dimensions: mm



VIDEOR TECHNICAL E. Hartig GmbH  
 Carl-Zeiss-Straße 8 · 63322 Rödermark · Germany  
 Telefon +49 (0) 60 74/8 88-0 · Telefax +49 (0) 60 74/8 88-100  
 info@videortechnical.com · www.videortechnical.com

