

Video Security

Dome Cameras | eneo Fastrax Domes

EDC-OPS-1/230V

Pendant Mount Outdoor Dome Housing
Tinted Bubble 6.8", 230VAC

Art-No. 74085



Features

Outdoor Housing for Fastrax Dome Cameras
For Wall and Ceiling Mount
Sunshield, Heater and Blower Kit Included

Tinted Bubble 6.8" (172mm)
Protection Rating: IP65
Supply Voltage: 230VAC/50Hz

Specifications

Video twisted-pair output

Via Twisted-pair plug-on transmitter, EDP no. 70599
(using the DC blower supply voltage, 30VDC max.)

Bubble

172mm (6.8"), tinted acrylic plastic (0.5 f-stop light loss)

Load capacity

Approx. 2.0kg

Connection

1 1/4" PT thread

Supply voltage

230AC, 50Hz

Power consumption

Approx. 56watts for heater and blower and incl. dome camera

Power consumption (heater)

Approx. 30watts

Temperature range (Operation)

-45°C to +50°C

Protection rating

IP65

Housing

Aluminium, Pipes: Steel, Trimming: Plastic

Colour

Light-grey polyester powder coat

Weight

Approx. 4.3kg

Accessories

74074 / EDC-RTB

Roof Mount Bracket for Fastrax Outdoor

74054 / EDC-CMA2

Corner Mount Adapter for EDC-IPS/OPC

74055 / EDC-PM7

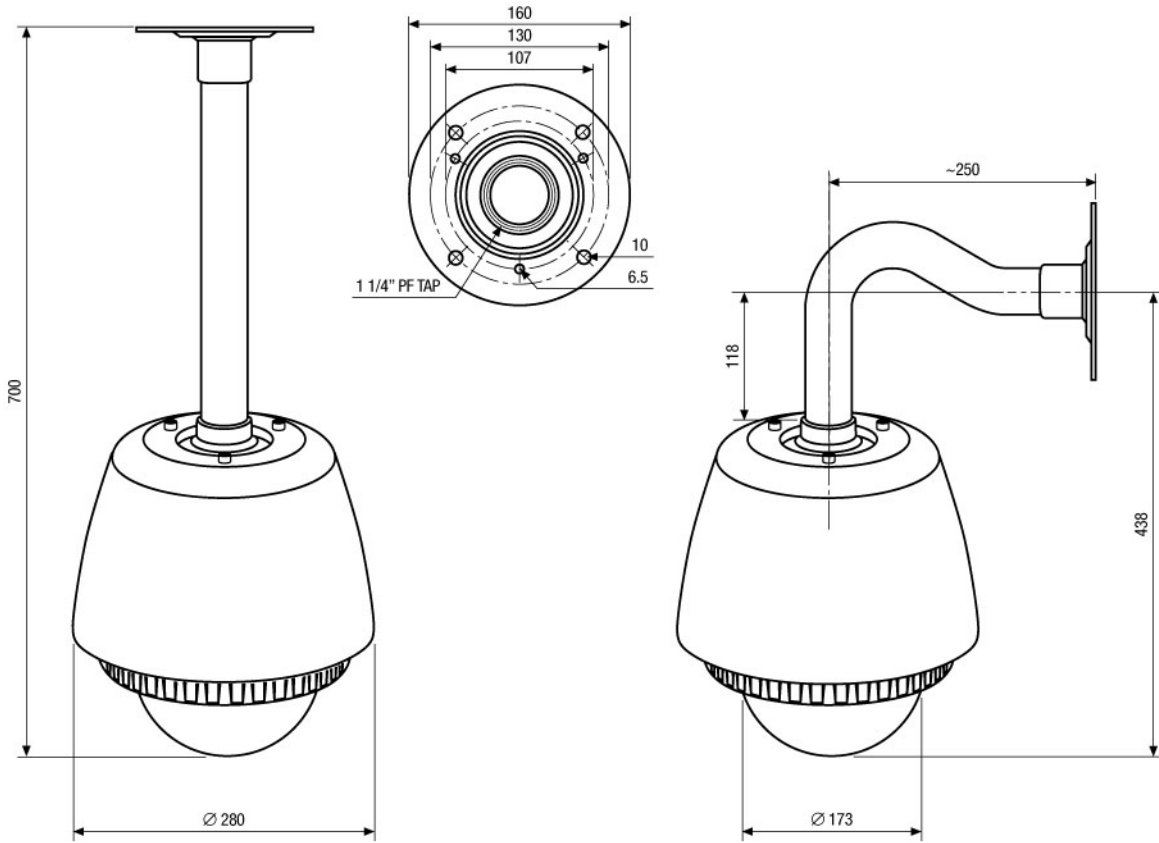
Pole Mount Adapter for EDC-IPS/OPC

74090 / EDC-PRMB

Parapet and Roof Mount Bracket for

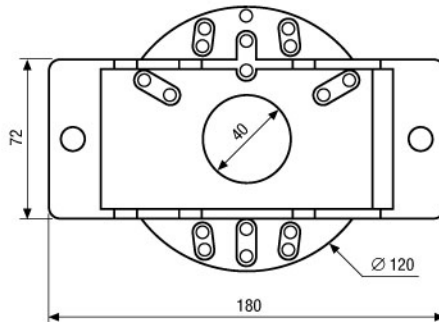
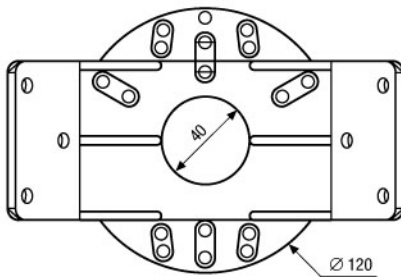
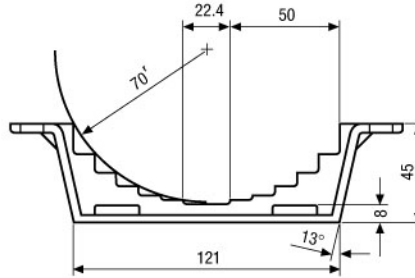
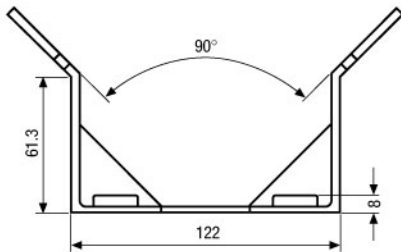
Accessories of

74086 / EDC-141E	1/4" Colour/B&W High Speed Dome Camera
74091 / EDC-143E	1/4" Colour/B&W High Speed Dome Camera
74093 / EDC-142E1	1/4" Colour High Speed Economy Dome
74100 / EDC-144E	1/4" Colour/B&W High Speed Dome Camera



Eckmontagewinkel / Corner Mount Adapter

Mastmontageadapter / Pole Mount Adapter



Maße/Dimensions: mm

VIDEOR TECHNICAL E. Hartig GmbH
 Carl-Zeiss-Straße 8 · 63322 Rödermark · Germany
 Telefon +49 (0) 60 74/8 88-0 · Telefax +49 (0) 60 74/8 88-100
 info@videortechnical.com · www.videortechnical.com

