

# Video Security

Dome Cameras | eneo Fastrax Domes

## EDC-143E

1/4" Colour/B&W High Speed Dome Camera with 23x Zoom Lens, 24VAC, 470TVL

Art-No. 74091



## Features

Colour/B&W Dome Camera (Progressive Scan CCD)  
23x Optical and 10x Digital Zoom (216 Total)  
Zoom Lens: F1.6/3.6-82.8mm  
Wide Dynamic Range (WDR)  
Removable IR Cut Filter  
Pattern, Tour and Autopan Function

240 Presets  
Dynamic Window Blanking  
RS-485/RS-422 Interface  
8 Alarm Inputs/4 Outputs  
Programmable Alarm Action with Priority Levels  
Supply Voltage: 18 to 30VAC, 50/60Hz

## Specifications

<b>Imager</b>	1/4" 758 (H) x 592 (V) pixels (Progressive Scan)
<b>Sensitivity</b>	3.0Lux at F1.6 (1.7Lux at F1.2); 0.2Lux at 1/3sec. shutter speed; 0.02Lux at 1/3sec. shutter speed and IR cut filter removed
<b>Horizontal resolution</b>	480 TV Lines
<b>Addresses</b>	Up to 999 Dome ID's
<b>Dynamic range (WDR)</b>	60db
<b>Speed range at manual control (pan)</b>	0.5° to 90°/sec., Turbo: 380°/sec. (Proportional to the zoom position)
<b>Speed range at manual control (tilt)</b>	0.5° to 90°/sec. (Proportional to the zoom position)
<b>Preset speed</b>	Up to 380°/sec. pan
<b>Rotation range</b>	360° (endless)
<b>Vertical tilt range</b>	-4° ~ +90°
<b>Preset positioning</b>	240 presets with 16-character labels each. 0.75sec. max. preset recall time
<b>Backlash</b>	0.2°
<b>Patterns</b>	4 patterns: 1x up to 240sec., or 3x up to 240sec. in total

(Specifications continued)

<b>Tours</b>	Up to 8 User programmable guard tours with vector scan. Consisting of 42 presets and other functions with individual dwell time (3 to 99sec.). Selectable fast or slow vector scan
<b>Autoscan</b>	8 User programmable auto scans with selectable fast or slow vector scan, 9 selectable speeds
<b>Proportional pan and tilt</b>	Continually decreases pan and tilt speeds in proportion to depth of zoom
<b>Auto flip function</b>	Rotates dome 180° at bottom of tilt travel
<b>Programmable park position</b>	Included
<b>Window blanking</b>	8 dynamic window blanking zones with user-defined four-sided shapes and up to 16-character labels each
<b>Zones</b>	16 each with programmable text labels
<b>In/outdoor use</b>	Indoor/outdoor camera preferences
<b>IR cut filter</b>	Automatic operation, ON/OFF switchable
<b>Digital signal processing (DSP)</b>	Yes (DSP-3R)
<b>Signal-to-noise ratio</b>	50db
<b>Automatic gain control (AGC)</b>	Automatic (ON/OFF switchable)
<b>Shutter speed (AES/MES)</b>	Automatic/manual: 1/1.5 to 1/30,000sec. (PAL)
<b>Shutter modes</b>	High and Low Speed shutter
<b>Synchronization</b>	Internal/AC line lock, phase adjustment via remote control
<b>White balance</b>	Modes: Manual, Automatic, Indoor, Outdoor, ATW
<b>Video output</b>	1Vp-p, CVBS, 75ohms, BNC
<b>Zoom range</b>	F1.6/3.6~82.8mm (23 optical, 10x digital zoom)
<b>Horizontal angle of view</b>	54° (Wide); 2.5° (Tele end)
<b>Iris control</b>	Automatic (with manual override)
<b>Focus control</b>	Automatic with manual override
<b>Minimum object distance (MOD)</b>	0.3m
<b>Menu driven set-up</b>	ON/OFF switchable
<b>Text display</b>	16-character labels
<b>Menu languages</b>	English
<b>Alarm processing</b>	Programmable alarm action with selectable priority levels
<b>Alarm inputs</b>	8, selectable between NO and NC
<b>Bubble</b>	4.9" (125mm), clear acrylic plastic
<b>Control interfaces</b>	RS-422/RS-485, 9600Baud, 999 camera ID addresses selectable. Besides the keyboard control via the eneo EDC-KBD(M) series, the control via matrix switchers and keyboards from Pelco (D+P protocol), Ernitec, Philips G3, Sensormatic (back channel via RS-422 is not activated), Vicon and Dynacolor is available
<b>Keyboard control</b>	Direct mode control with Eneo EDC-KBD(M) keyboard series, or in conjunction with the eneo Triplex Multiplexer series VBMT/VCMT-8000 and DVR series DLR(2) and DXR
<b>Auxiliary outputs</b>	4 relays with NO or NC contact, 24VDC/1A resistive
<b>Remote control</b>	Camera remote settings via keyboard
<b>Operation protection</b>	Available

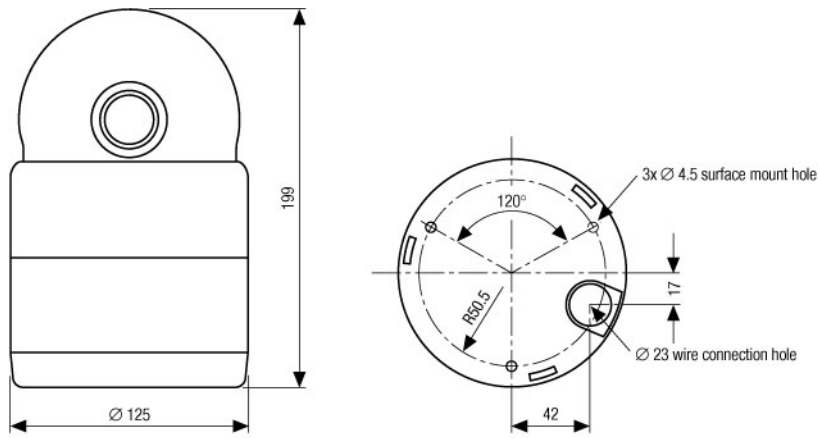
## EDC-143E

(Specifications continued)

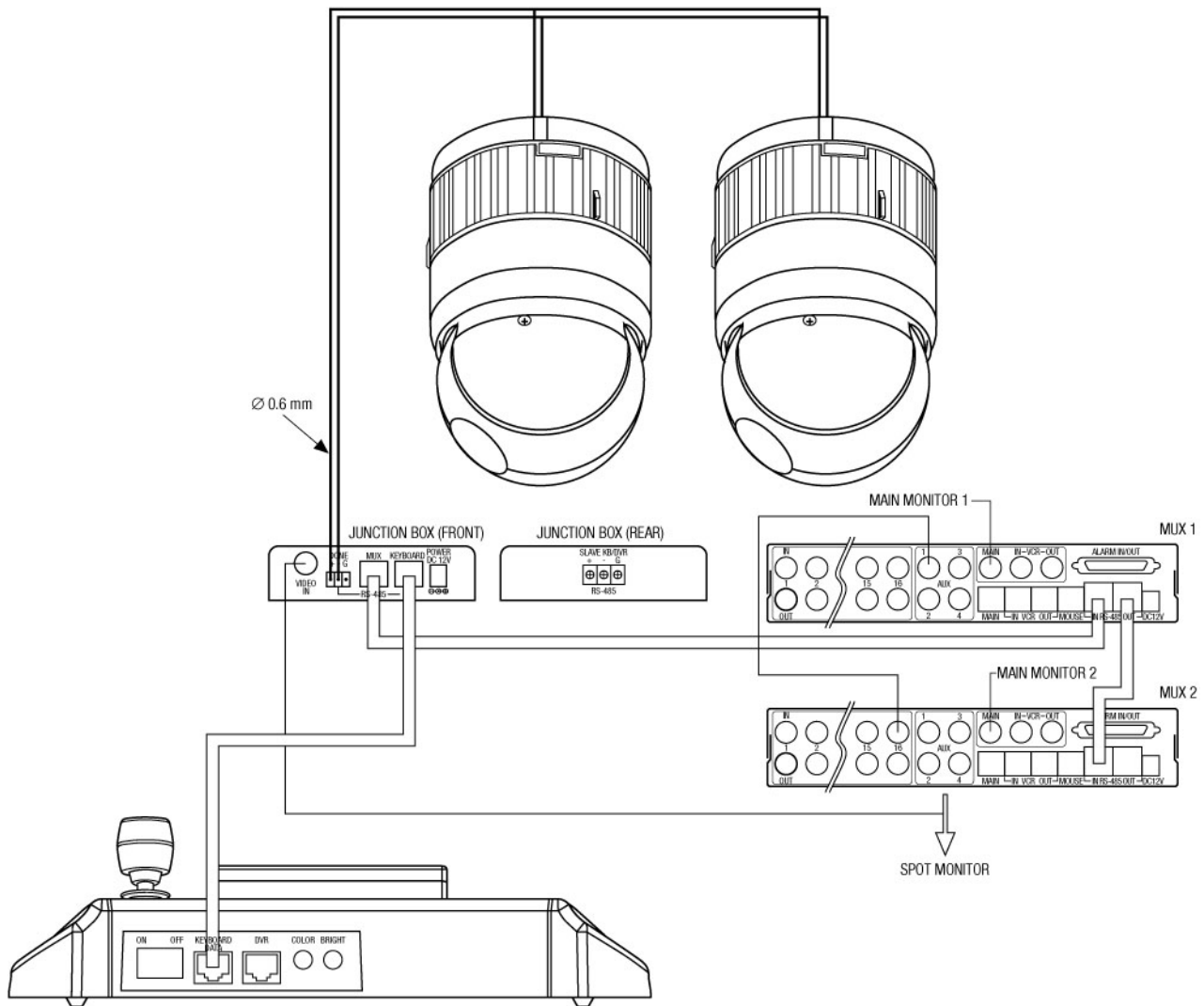
<b>Backup</b>	Non-volatile back box memory stores all camera and site-specific dome settings
<b>Supply voltage</b>	18 to 30VAC (24VAC nominal), 50/60Hz
<b>Power consumption</b>	Approx. 20watts
<b>Temperature range</b>	0°C to +50°C
<b>Protection rating</b>	IP40
<b>Housing</b>	Black plastic for indoor drop-ceiling mount
<b>Dimensions (HxWxD)</b>	See drawing
<b>Weight</b>	1.5kg

## Accessories

<b>74057 / EDC-IDF</b>	Flush Mount Dome Housing, Smoked Bubble 4.9"
<b>74078 / EDC-OPS-1/24V</b>	Pendant Mount Outdoor Dome Housing Tinted Bubble 6.8", 24VAC
<b>74077 / EDC-IPC-1/24V</b>	Pendant Mount Indoor Dome Housing Clear Bubble 6.8", 24VAC
<b>74076 / EDC-OPC-1/24V</b>	Pendant Mount Outdoor Dome Housing Clear Bubble 6.8", 24VAC
<b>74075 / EDC-IPS-1/24V</b>	Pendant Mount Indoor Dome Housing Tinted Bubble 6.8", 24VAC
<b>74082 / EDC-IPC-1/230V</b>	Pendant Mount Indoor Dome Housing Clear Bubble 6.8", 230VAC
<b>74083 / EDC-IPS-1/230V</b>	Pendant Mount Indoor Dome Housing Tinted Bubble 6.8", 230VAC
<b>74084 / EDC-OPC-1/230V</b>	Pendant Mount Outdoor Dome Housing Clear Bubble 6.8", 230VAC
<b>74085 / EDC-OPS-1/230V</b>	Pendant Mount Outdoor Dome Housing Tinted Bubble 6.8", 230VAC
<b>75201 / MTC-1</b>	Matrix, Multiplexer and Telemetry Keyboard with Joystick, RS-485 Control
<b>74088 / EDC-KBD1</b>	System Keyboard with 3-axis Joystick, 12VDC/230VAC
<b>74089 / EDC-CR1</b>	Converter RS-232/RS-485, Repeater RS-485
<b>74092 / EDC-KBDM-3</b>	System Keyboard w. Joystick, 5" Monitor 12VDC/230VAC
<b>70449 / NE-128</b>	Voltage supply unit 230V/24VAC-5A, IP66
<b>74094 / EDC-COAX</b>	Coax Telemetry Board for VPT-41/42, EDC/EDMC Series. assembled
<b>70454 / AK-1</b>	Camera Connection box, 230VAC Input 24VAC-80W, 12VDC-1A Output



Maße/Dimensions: mm



VIDEOR TECHNICAL E. Hartig GmbH  
 Carl-Zeiss-Straße 8 · 63322 Rödermark · Germany  
 Telefon +49 (0) 60 74/8 88-0 · Telefax +49 (0) 60 74/8 88-100  
 info@videortechnical.com · www.videortechnical.com

