

MRP 3050S CAM DN

MRP 3050S CAM


MRP 3050S CAM/CAM DN

REDWATCH® MULTI

BS8418 Sensor

REDWATCH MULTI, a revised and upgraded version of our proven **REDWATCH®** technology, has a significantly more advanced high quality colour/mono camera with varifocal lens integrated with the PIR to deliver a combined/detector sensor. The new product also has the benefit of a higher mounting height. The option of a standard 2.3 Metre mounting height providing 50 x 30 metre detection range, or a 30 x 20 metre detection pattern at an increased height of 4 metres. As with all products in our detection range, **REDWATCH MULTI** is particularly adept at countering one of the biggest headaches for remote monitoring centres, installers and end-users associated with false alarms in outdoor detection: miss-match of the camera lens view and the detection pattern.

RedWatch multi now easily deals with issues caused by changes to the operation requirement on the remote site; a slight alteration to the viewing angle of the camera now means that the detection pattern will follow, perfectly.

FEATURES

- Colour/mono & monochrome versions
- Matched Fields of view
- Operating temperature -25°c to +60°c
- Mono 570 TVL 8.0mm lens 0.08 lux
- Colour/Mono 3.8-9.5mm Varifocal Lens Colour 0.5 lux 510 TVL Mono 0.03 lux 480TVL
- Triple electronic processors
- Gold coated optics
- Triple dual element sensors
- Patented optical array
- Patented double conductive shielding

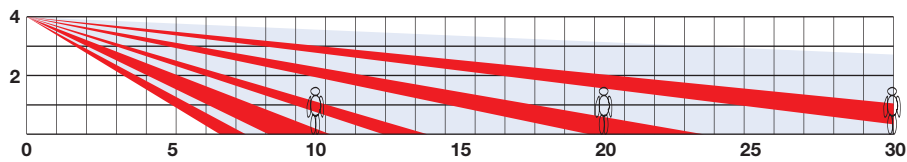
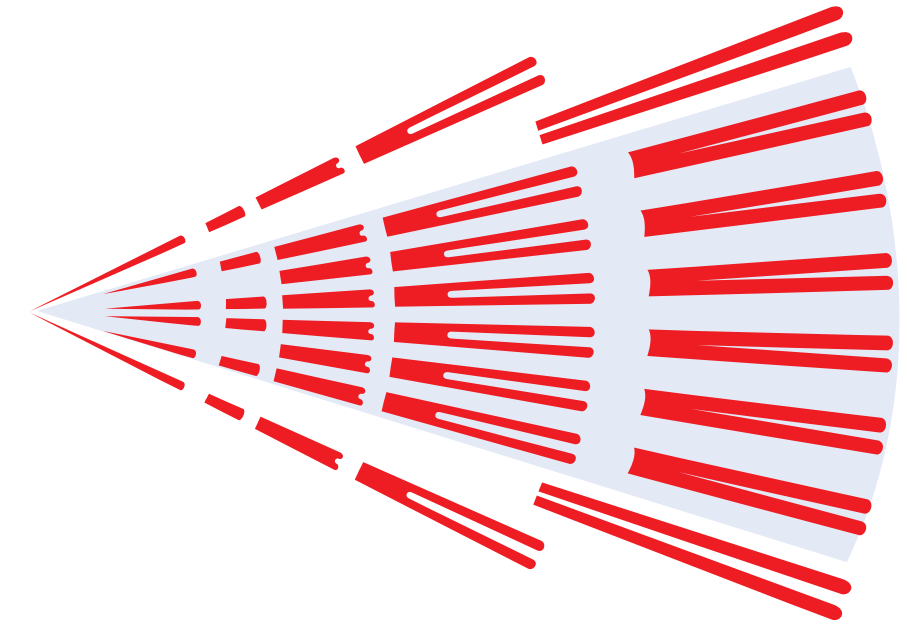
OPTIONS/ACCESSORIES

- Sun/snow shield – LRPIDIHOOD
- Walk tester – OPM-WT
- Pole mount bracket – LRPSCA
- Visual alignment aid (supplied)

Coverage at 4 Mtrs

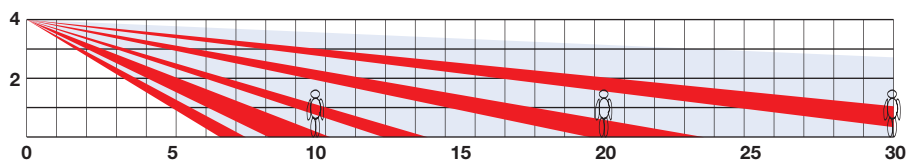
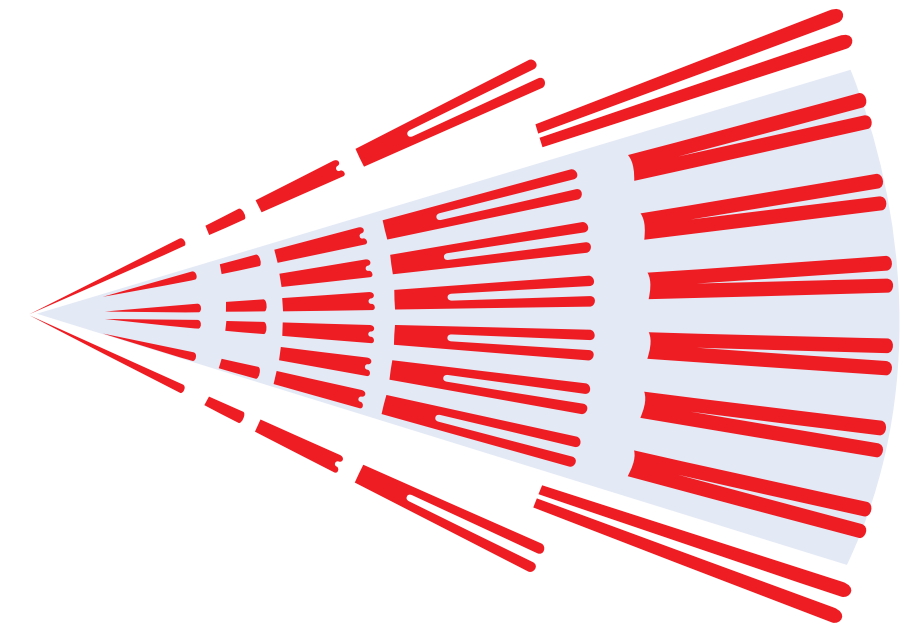
MRP 3050S CAM

Mounting Height 4 Mtrs



MRP 3050S CAM DN

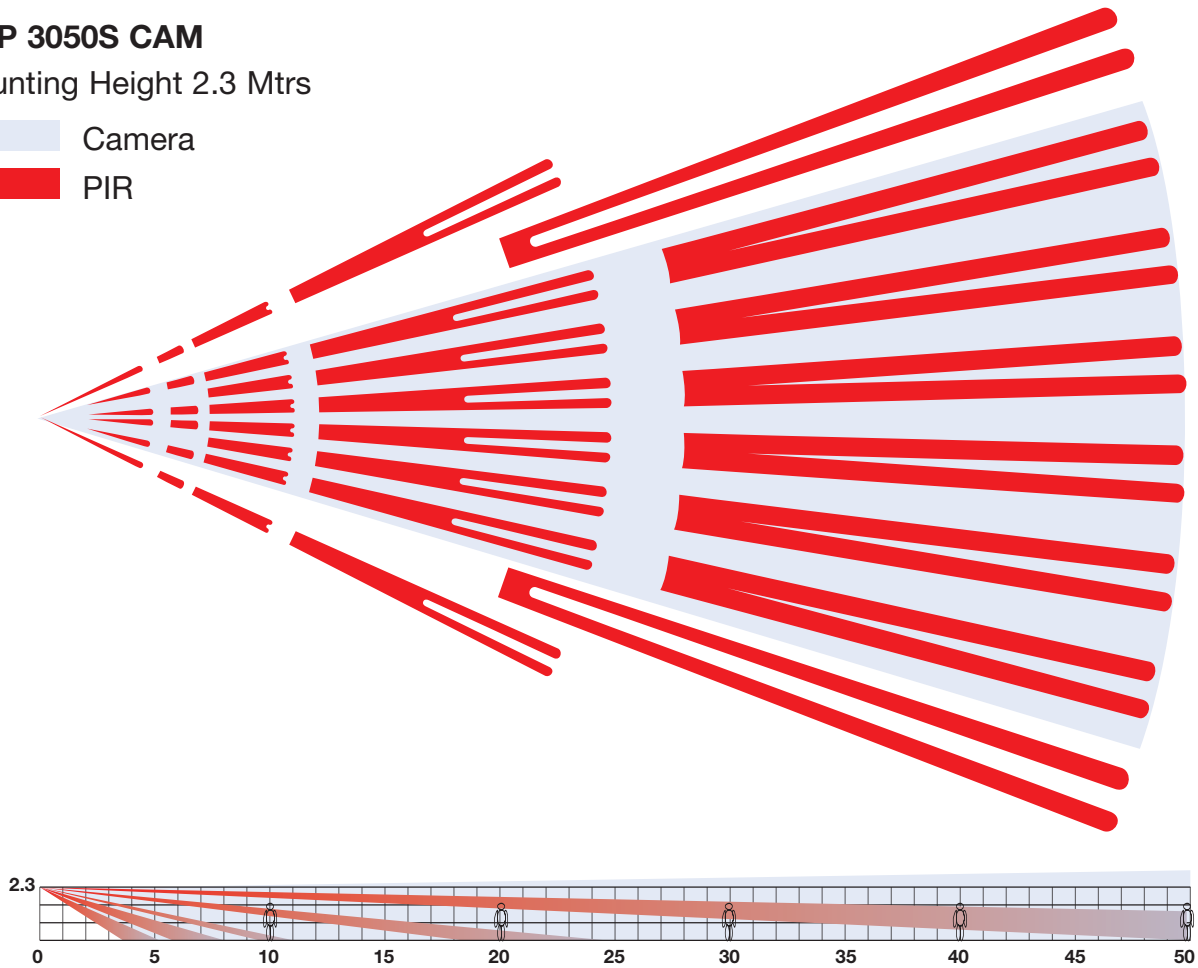
Mounting Height 4 Mtrs



Coverage at 2.3 Mtrs

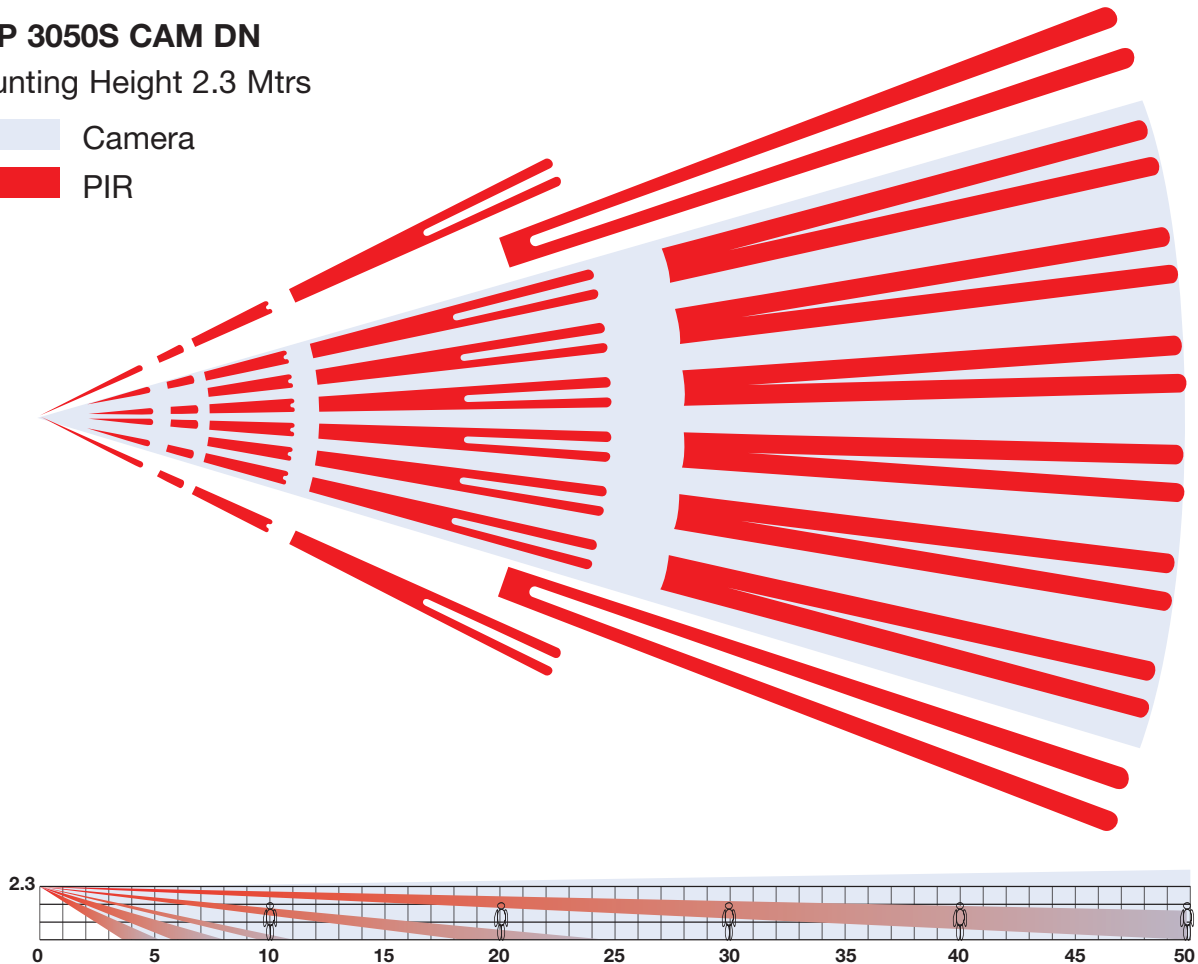
MRP 3050S CAM

Mounting Height 2.3 Mtrs



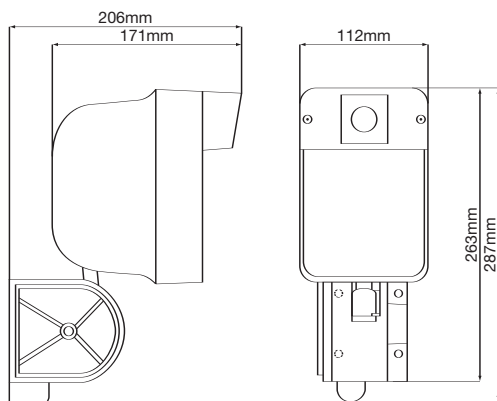
MRP 3050S CAM DN

Mounting Height 2.3 Mtrs

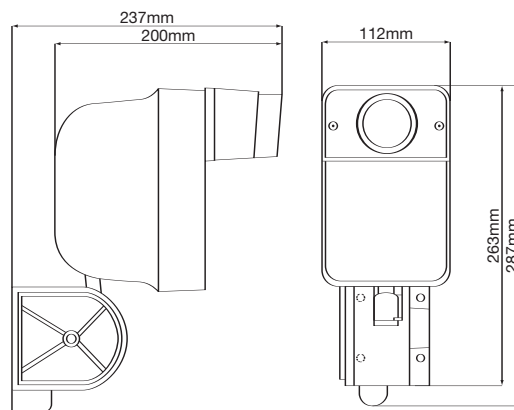


Dimensions

MRP-3050S CAM



MRP-3050S CAM DN



Specifications

Model	MRP 3050S CAM (EU)	MRP 3050S CAM DN (EU)	MRP 3050S CAM DN (US)
-------	--------------------	-----------------------	-----------------------

• General

Power Input	10.2-13.8VDC		
Current Draw	160mA (max)	220mA(max)	
Detection Method	passive inferred patented Tri-channel system		
Range	50m x 30m (150' x 100' at 2.3m (7'6) mounting height 30m x 20m (100' x 65') at 4 m (13') mounting height		
Detection Zones	78 Zones (39 pairs)		
Mounting height	2.3m (7'6) – 4m (13')		
Alarm period	Approx. 2 sec		
Alarm output	Form 1C relay 30VDC/1A (Max)		
Tamper output	N.C opens when cover,head removed 28VDC 10mA (Max)		
Warm-up Period	Approx 60 Secs (LED's blinking during warm up period)		
Walk test indication	visual: LED x 3 Audio: Optional Audio walk tester available (OPM-WT).Recommended.		
Operating temperatures	-25°C ~ +60°C (+60°C can be achieved when LRP MIDI HOOD is fitted)		
Weight	1.7kg	1.9kg	
IP rating	IP64 Wiring hole to be sealed	IP65 Wiring hole to be sealed	
Finish	White Powder Coat		

• Camera

Image sensor	Sony 1/3" B/W CCD	Sony 1/3" Colour CCD	
Effective Pixels	752H X 582V (440K Pixels)	752H X 582V (440K Pixels)	768H x 494V (380K Pixels)
Lens Focus Length/F-stop	8mm F1.2	3.8mm – 9.5mm Vari-Focal DC Auto iris lens F1.2	
Minimum illumination	0.08 lux @ F1.2	Colour 0.5 lux @ F1.2 B/W 0.03 lux @ F1.2	
Video output	1Vp-p/75Ω CCIR PAL	1Vp-p/75Ω CCIR PAL	1Vp-p/75Ω NTSC/EIA

This unit is designed to provide a video image for the purposes of security and observation monitoring. It is NOT a burglar/theft prevention device and we cannot accept responsibility for any losses, should they occur.

Due to continued improvements, specifications are liable to change without notice
This Product conforms the EMC directive 89/336EEC

OPTEX (EUROPE) LTD	Platinum House, 32B, Clivemont Road, Cordwallis Park, Maidenhead, Berkshire. SL6 7BZ Tele: +44 (0) 1628 631000 – Fax: +44 (0) 1628 636311 Web: www.optex-europe.com - e-mail sales@optex-europe.com
OPTEX INCORPORATED	13661 Benson Ave., Bldg.C. Chino, CA91710 USA. Tel: +1-909-993-5770 – Fax: +1-909-628-5560
OPTEX CO. LTD	5-8-12 Ogoto Otsu, Shiaga 520-0101 Japan Tel: +81 77 579 8030 - Fax: +81 77 579 7190 Web: www.optex.co.jp/e
OPTEX SECURITY SAS	475 Rue Monique et Mario Piani 69480 Amberieux d'Azergues France. Tel: +33-437-55-50-50 – Fax: +33-437-55-50-59
OPTEX SECURITY Sp. Z.o.o.	Ul Błtwy warszawskiej 1920r. 7B, 02-366 Warszawa, Poland. Tele: +48 2259 80654 – Fax: +48 2259 80661