



## Proximity reader

A stylish and fully featured EM4100 proximity reader from TDSi. eXprox offers a high quality mullion mounted reader available in robust ABS plastic or vandal resistant stainless steel housings with excellent read range.

### Features of the eXprox reader

- Available with choice of designs and finishes
- Fully encapsulated design for maximum water and dust ingress protection
- Integral indication LEDs and sounder all with individual control
- Read range up to 150 mm
- Wiegand or clock and data output



### Benefits of the eXprox reader

- Good read range and excellent reliability
- Vandal resistant stainless steel version available for peace of mind
- Adapt the look of the reader to suit the surroundings with graphite and ivory clip-on covers
- Unambiguous audible and visual indication of card reads and access status maximises user confidence
- Compatible with all standard access control systems

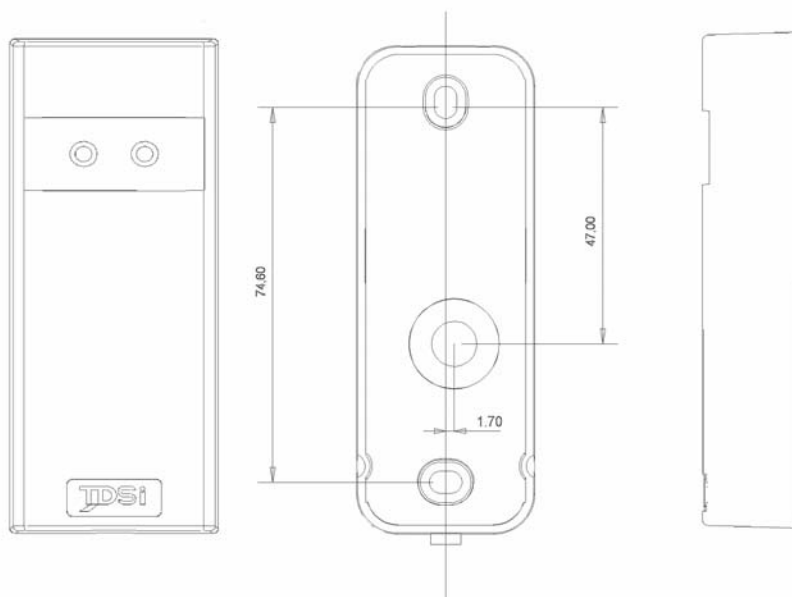
eXprox



w: [tdsi.co.uk](http://tdsi.co.uk)  
e: [sales@tdsi.co.uk](mailto:sales@tdsi.co.uk)  
t: +44(0)1202 666222



# Proximity reader



## Technical Data

<b>Dimensions</b>	40 x 101 x 18 mm
<b>Weight</b>	205 g (eXprox) 280 g (eXprox VR)
<b>Operating environment</b>	-20°C to +55°C, 0 to 95 %RH (non-condensing)
<b>Power supply</b>	5 to 14 VDC, 100 mA max
<b>Operating frequency</b>	125 kHz
<b>Card technology</b>	EM4102 Compatible
<b>Sounder</b>	Integral with external control
<b>LEDs</b>	2 – red and green both with independent external control
<b>Read range</b>	<150 mm with ISO card, <70 mm with tag (eXprox) <70 mm with ISO card, <30 mm with tag (eXprox VR)
<b>Output formats</b>	Mag stripe, 26-bit Wiegand

## Ordering Information

Part No:	Product Description:
5002-0345	eXprox
5002-0355	eXprox VR (Vandal resistant)

# eXprox



Q05134