

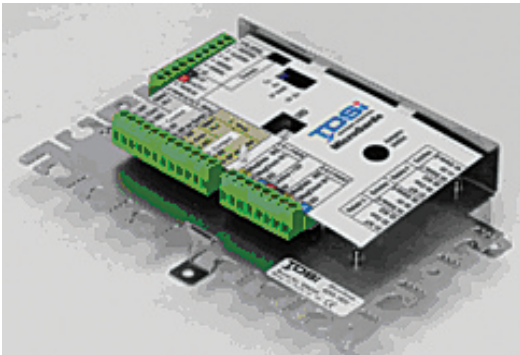


1 door / 2 reader controller



MicroGarde® I is a cost effective networked access control unit complete with free software. This gives the advantages of central control and event reporting. Each controller can run independently or as part of a network.

Features of the MicroGarde® I unit



- Single door networkable access control unit for up to 200 doors
- Easy to install and maintain
- Use TDSi or other third party readers
- Built in RS-232/RS-485 converter
- Reversible 2-wire RS-485 communication
- Variable lock times for DDA compliance
- Local anti-passback
- Diagnostic LEDs
- Automatic firedoor release option
- TCP/IP and I/O module upgrades available

Benefits of MicroGarde® I

- Use of intuitive software without the need for training
- Custom event reporting with search/sort criteria for simple auditing
- Automated backup for peace of mind
- Additional internal I/O modules available for systems integration and flexibility
- Compatible with eXguard PRO software for further systems integration



MicroGarde® I Starter Kit comprises:

- 1 controller
- 1 eXprox proximity reader
- RS-232 cable
- 10 proximity cards
- 1 CD-ROM containing PC software

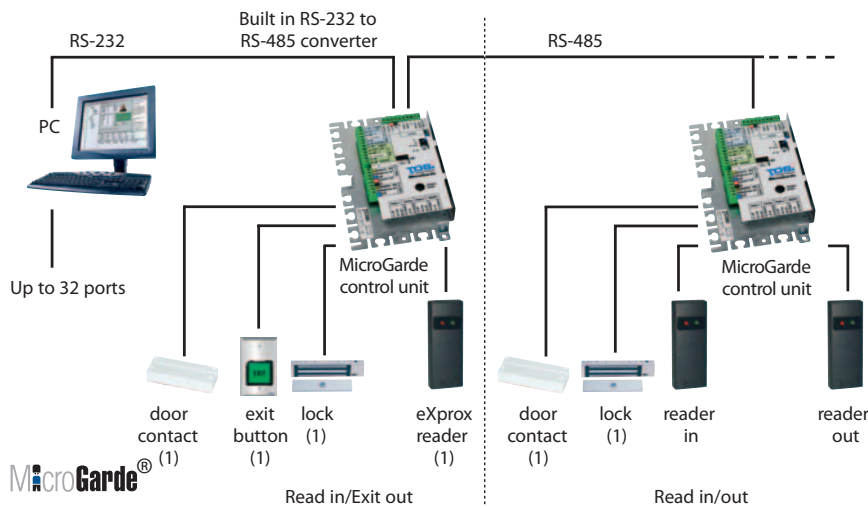
MicroGarde® I



w: tdsi.co.uk
e: sales@tdsi.co.uk
t: +44(0)1202 666222



1 door / 2 reader controller



Technical Data

Dimensions	210 x 135 x 47 mm (without PSU) 346 x 280 x 85 mm (with PSU)
Weight	600g (without PSU), 4.9kg (with PSU)
Operating environment	-5°C to +50°C, 0 to 95%RH (non-condensing)
Power supply	Input: 10 to 14VDC, 1A (without PSU) 220 to 240VAC, 80VA (with PSU)
Cards	5000
Readers	Maximum of 2 readers using TDSi eXprox, Optica® and Digital Microcard readers in a read-in/read-out configuration, or 1 reader using the majority of other reader, keypad and biometric technologies including TDSi Microcard and those with standard clock & data, Wiegand and HID standard 37-bit (H10302) output formats
Doors	0 or 1
Inputs	4 in total; 2 used per installed door
Outputs	2 (30V, 2A rating) in total; 1 used per installed door
Expansion options	Changeover relay module adds 2 additional relay outputs and 4 additional inputs
Communications	RS-232 with built-in converter to RS-485 for downstream units, CAT V cable (screened or un-screened), optional TCP/IP module (10/100Mbps Ethernet port)
Recommended PC Specification	Pentium P4, 1GHz, 256 MB RAM Windows® 2000, Windows® XP Pro (Service pack 1 or 2) Serial or Ethernet port (as required for communications method)

Ordering Information

Part No:	Product Description:
5002-1900	MicroGarde® I (standard – without power supply)
5002-1906	MicroGarde® I (with power supply)
5002-1910	MicroGarde® I Starter Kit
5002-1811	MicroGarde® I I/O module upgrade kit
5002-1812	MicroGarde® I TCP/IP module upgrade kit



Q05134

MicroGarde® I



w: tdsi.co.uk
e: sales@tdsi.co.uk
t: +44(0)1202 666222